



ERP16-20UXT

SPEC SHEET

1,600 - 2,000 kg

UXT Series

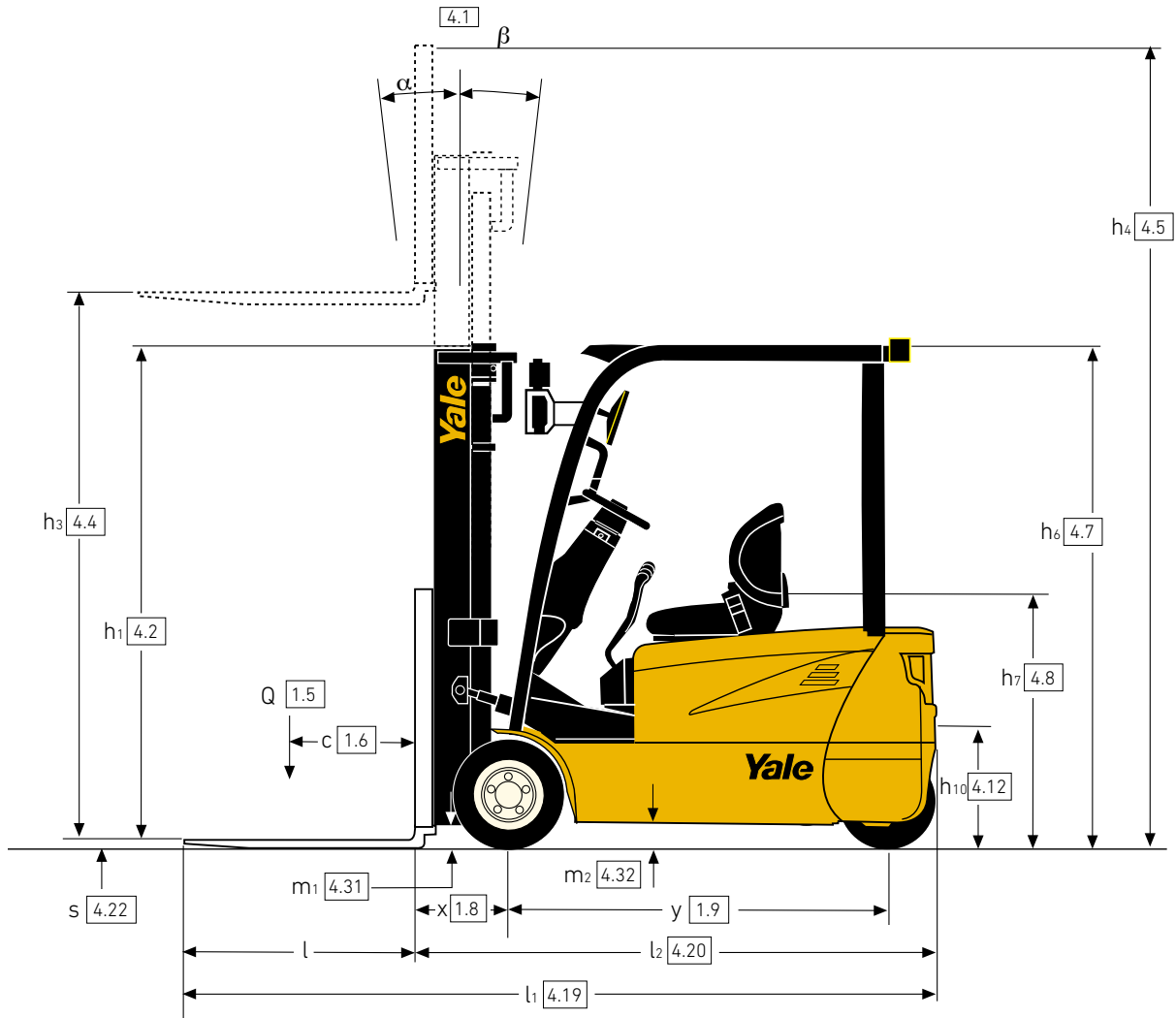
Three Wheel Electric
Forklift Trucks

TRUCK DIMENSIONS – UXT SERIES

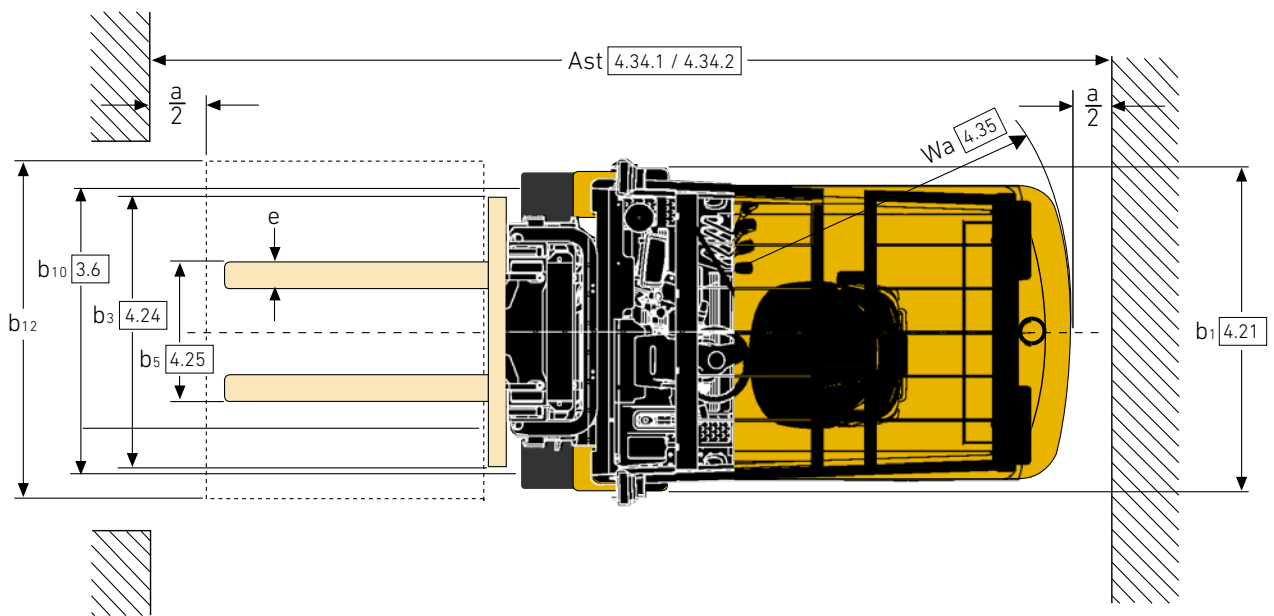
$$Ast = Wa + x + l_6 + a$$

a = Minimum operating clearance of 200mm

l_6 = Load length



TRUCK DIMENSIONS – UXT SERIES



VDI 2198 – GENERAL SPECIFICATIONS – UXT SERIES

			Yale			
			UXT16	UXT18	UXT20	
GENERAL	1.1	Manufacturer				
	1.2	Model designation				
	1.3	Drive		Electric (battery)		
	1.4	Operation		Seated		
	1.5	Rated capacity/rated load	Q (t)	1600	1800	
	1.6	Load centre	c (mm)		500	
	1.8	Load centre distance	x (mm)		371	
	1.9	Wheelbase	y (mm)	1400		1515
	WEIGHT	2.1	Unladen weight (max. battery)	kg	3120	3190
2.2		Axle loading, laden front/rear (max. battery)	kg	4010 / 660	4420 / 510	4870 / 580
2.3		Axle loading, unladen front/rear (max. battery)	kg	1480 / 1640	1500 / 1690	1580 / 1810
TYRES	3.1	Tyres front/rear		Superelastic		
	3.2	Tyre size, front	ø mm x mm	18*7-8		200 / 50-10
	3.3	Tyre size, rear	ø mm x mm	15*4 1 / 2-8		
	3.5	Wheels, number front/rear (x = driven wheels)		2 x / 2		
	3.6	Tread, front	b ₁₀ (mm)	933		952
	3.7	Tread, rear	b ₁₁ (mm)	186		
	DIMENSIONS	4.1	Mast tilt, forward / backward	degrees	6.15 / 6.75	
4.2		Height of mast, lowered	h ₁ (mm)	1992		1990
4.3		Free lift ⁽¹⁾	h ₂ (mm)	35		54
4.4		Lift height ⁽¹⁾	h ₃ (mm)	3036		3045
4.5		Height of mast, extended ⁽²⁾	h ₄ (mm)	4030		4000
4.7		Height to top of overhead guard ⁽³⁾	h ₆ (mm)	2002		2004
4.8		Seat height ⁽⁴⁾	h ₇ (mm)	965		
4.12		Towing coupling height	h ₁₀ (mm)	445		485
4.19		Overall length(with forks)	l ₁ (mm)	2894		3153
4.20		Length to face of forks	l ₂ (mm)	1974		2084
4.21		Overall width	b ₁ /b ₂ (mm)	1084		1140
4.22		Fork dimensions	s/e/l (mm)	35 / 100 / 920		40 / 120 / 1070
4.23		Fork carriage DIN 15173. Class, A/B		ISO2328 2A		
4.24		Fork carriage width ⁽²⁾	b ₃ (mm)	951		950
4.25		Width over forks	b ₅ (mm)	200 / 890		
4.31		Ground clearance, laden, below mast	m ₁ (mm)	89		88
4.32		Ground clearance at centre of wheelbase	m ₂ (mm)	96		95
4.34.1		Aisle width with pallets 1000mm long x 1200mm wide	A _{st} (mm)	3290		3445
4.34.2		Aisle width with pallets 800mm wide x 1200mm long	A _{st} (mm)	3415		3410
4.35		Outer turning radius	W _a (mm)	1601		1716
PERFORMANCE		5.1	Travel speed laden/unladen	km/h	14 / 16	
	5.2	Lifting speed laden/unladen	m/s	352 / 500	349 / 500	310 / 500
	5.3	Lowering speed laden/unladen	m/s	411 / 485	425 / 485	
	5.5	Drawbar pull laden/unladen, 60 minute rating	N	NA		
	5.6	Maximum drawbar pull laden/unladen, 5 minute rating	N	15500 / 10000	15000 / 10500	15500 / 12000
	5.6.1	Maximum drawbar pull laden/unladen, 3 minute rating		NA		
	5.7	Gradeability with/without load, 30 minute rating	%	NA		
	5.8	Maximum Gradeability with/without load, 5 minute rating	%	20 / 30		
	5.8.1	Maximum drawbar pull laden/unladen, 3 minute rating		NA		
	5.9	Acceleration time with/without load 10m	sec	4.46 / 4.35		5.98 / 5.63
	5.9.1	Acceleration time with/without load 15m		5.79 / 5.51		6.95 / 6.79
5.10	Service brake		Hydraulic			
ELECTRIC	6.1	Drive Motor Rating, S2, 60min	kW	2 x 5		
	6.2	Lifting motor, S3 15% rating	kW	11		
	6.2.1	Steering motor		NA		
	6.3	Battery DIN 43531 /35 /36 A, B, C, no	No	43531A		
	6.4	Battery voltage / capacity (5hr rate)	(V)/(Ah)	48 / 500		48 / 640
	6.5	Battery weight (min/max)	kg	945		1088
	6.5.1	Battery dimensions	l/w/h (mm)	830 / 630 / 627		830 / 738 / 627
	6.6	Power consumption in accordance with VDI cycle	kWh/h	5.19	5.30	5.7
OTHER	7.6	Turn over	t/h	102t/h	105t/h	NA
	8.1	Drive control		ACE2 2uC		AC
	8.2	Manufacturer		ZAPI		
	10.1	Operating pressure for attachments ⁽⁵⁾	bar	145	175	
	10.2	Oil volume for attachments	l/min.	38		
	10.7	Average noise level at operator's ear ⁽⁶⁾	dB(A)	64.8		69.6
	10.8	Towing coupling, type DIN		Ø32		
	10.3	Hydraulic Tank - capacity (drain & refill)	l	32		
	10.6	Number of steering rotation		4		
	10.6.1	Steering force	N	10		

(1) Bottom of forks

(2) Without load backrest

(3) h₆ subject to +/- 5mm tolerance

(4) Full suspension specified

(5) Variable

(6) LPAZ, measured according to the test cycles and based on the weighting values contained in EN12053

MAST DIMENSIONS – UXT SERIES

Type	Max. lift height (mm)	Overall Extended Height Mast			Free Lift		Load Distance (mm)	Mast Tilt		Loading		
		Lowered height (mm)	Lift Height		Without LBR (mm)	With LBR (mm)		F (°)	B (°)	Load center (500mm)		
			Without LBR (mm)	With LBR (mm)						Single Tyre (kg)		
										16UXT	18UXT	20UXT
2-Stage Limited Free-Lift (LFL) Mast												
BM300	3000	1975	3490	4010	0	0	376	6.5	6.5	1600	1800	2000
BM330	3300	2125	3790	4310	0	0	376	6.5	6.5	1600	1800	2000
BM350	3500	2225	3990	4510	0	0	376	6.5	6.5	1600	1800	2000
BM370	3700	2325	4190	4710	0	0	376	6.5	6.5	1600	1800	2000
BM400	4000	2525	4490	5010	0	0	376	3.5	5	1600	1800	2000
BM450	4500	2775	4990	5510	0	0	376	3.5	5	1400	1600	1800
BM500	5000	3025	5490	6010	0	0	376	3.5	5	1250	1450	1500
BM550	5500	3325	5990	6510	0	0	376	3.5	5	1150	1200	1300
BM600	6000	3575	6490	7010	0	0	376	3.5	5	1050	1100	1200
2-Stage Full Free-Lift (FFL) Mast												
BFM300	3000	1975	3490	4010	1510	990	376	3.5	6.5	1600	1800	2000
BFM330	3300	2125	3790	4310	1660	1140	376	3.5	6.5	1600	1800	2000
BFM350	3500	2225	3990	4510	1760	1240	376	3.5	6.5	1600	1800	2000
BFM370	3700	2325	4190	4710	1860	1340	376	3.5	6.5	1600	1800	2000
BFM400	4000	2525	4490	5010	2060	1540	376	3.5	5	1600	1800	2000
3-Stage Full Free-Lift (FFL) Mast												
BTFM400	4000	1850	4490	5010	1385	865	376	3.5	5	1600	1800	2000
BTFM435	4350	1975	4840	5360	1510	990	376	3.5	5	1500	1700	1900
BTFM450	4500	2025	4990	5510	1560	1040	376	3.5	5	1400	1600	1800
BTFM480	4800	2125	5290	5810	1660	1140	376	3.5	5	1300	1500	1650
BTFM500	5000	2225	5490	6010	1760	1240	376	3.5	5	1250	1450	1500
BTFM550	5500	2390	5990	6510	1925	1405	376	3.5	5	1150	1200	1300
BTFM600	6000	2575	6490	7010	2110	1590	376	3.5	5	1050	1100	1200
BTFM650	6500	2790	6990	7510	2325	1805	376	3.5	5	900	950	1000

All values are nominal values and they are subject to tolerances.







About Yale®

Yale Materials Handling Corporation is one of the oldest manufacturers of lift trucks in the world. We've been in the business of lifting since 1875 and we apply that experience to help customers solve materials handling challenges. Our full line of lift trucks range in capacity from 1 to 16 tonne and are powered by internal combustion engines or electric options. Yale also offers robotic solutions, telemetry, fleet management, parts, financing and training. From traditional lift truck equipment to emerging technologies, our goal, every day, is to work with our nationwide dealer network to continually improve and provide the solutions you need, when and how you need them.

MATERIALS HANDLING FOR:

- 3PL
- Auto Parts
- Beverage
- Cold & Frozen Foods
- Food Distribution
- Food Processing
- Furniture & Furnishings
- Health & Pharma
- Home Centres
- Retail
- E-Commerce

Yale Lift Truck Technologies

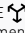
Centennial House
Frimley Business Park
Frimley
Surrey
GU16 7SG
United Kingdom

www.yale.com



Safety: All Yale products sold into EU countries, UK, and Turkey conform to the EU requirements of Machinery Directive 2006/42/EC and contain **CE** marking. Yale trucks sold into other countries may be ordered for production in conformance with Machinery Directive requirements, and when so ordered will contain **CE** marking.

HYSTER-YALE UK LIMITED trading as Yale Lift Truck Technologies. Registered Address: Centennial House, Building 4.5, Frimley Business Park, Frimley, Surrey, GU16 7SG, United Kingdom. Registered in England and Wales. Company Registration Number: 02636775.

©2023 Hyster-Yale Group, Inc., all rights reserved. YALE and YALE  are trademarks of Hyster-Yale Group, Inc. Trucks may be shown with optional equipment and/or features not available in all regions. Truck performance may be affected by the condition of the vehicle, how it is equipped and the application. Specifications are subject to change without notice.

Notice: Care must be exercised when handling elevated loads. Operators must be trained and must read, understand and follow the instructions contained in the Operating Manual. Consult your Yale® Dealer if any of the information shown is critical to your application.

Publication part no. 220991860 Rev.00 (0323DMS) EN