



ERC22-35VG

SPEC SHEET

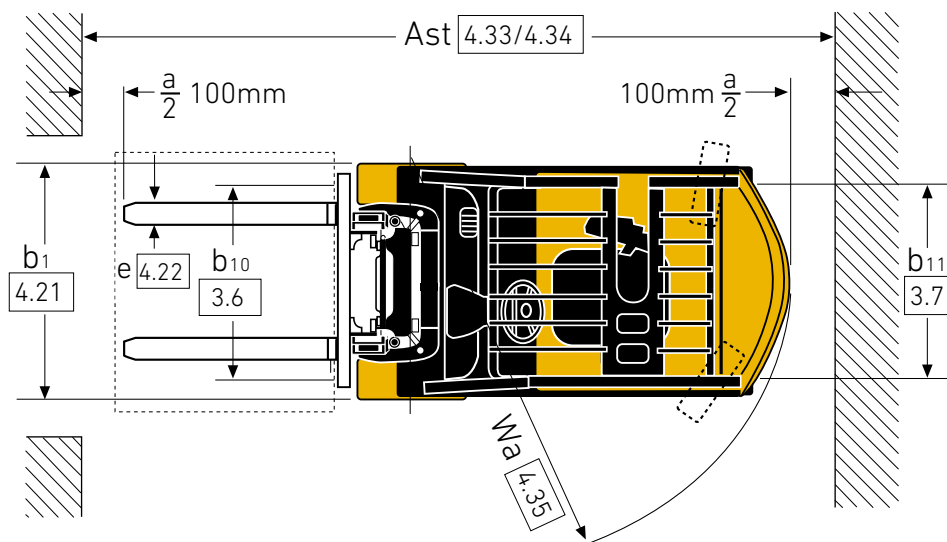
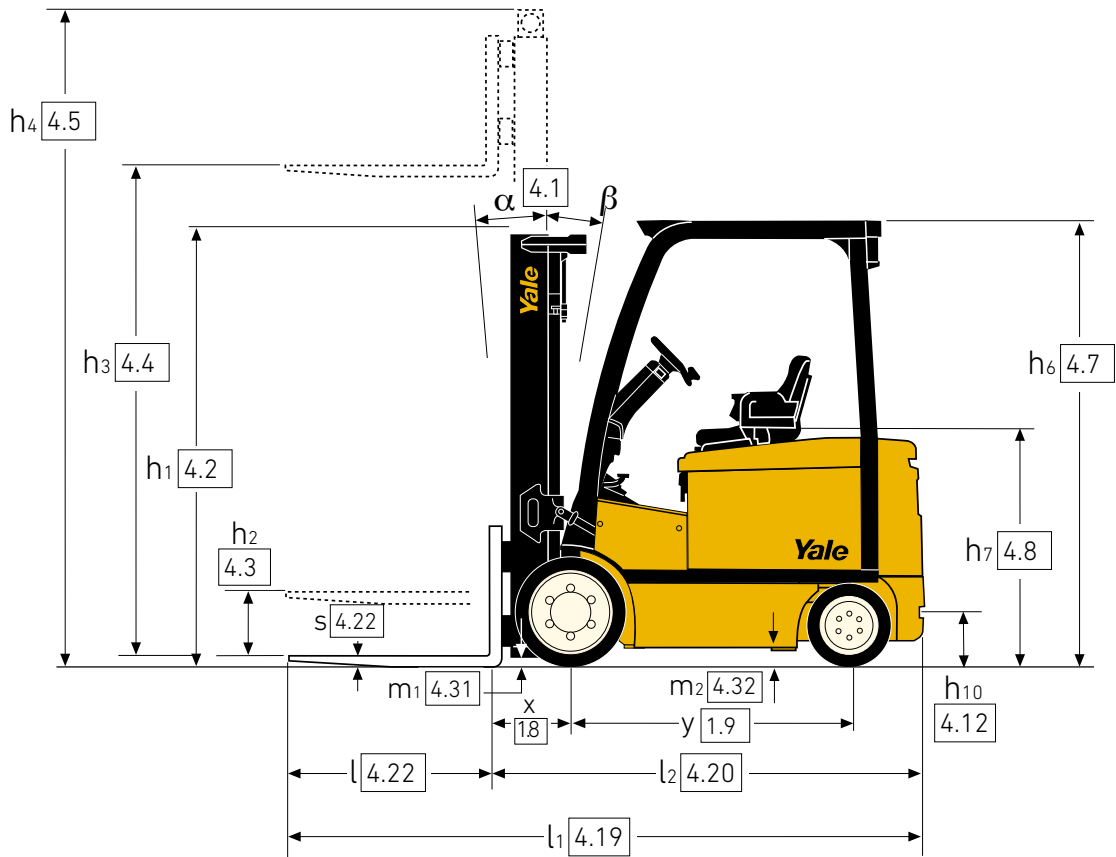
2,200 - 3,500 kg

VG Series

Compact Electric
Forklift Trucks



TRUCK DIMENSIONS – VG SERIES



VDI 2198 – GENERAL SPECIFICATIONS – VG SERIES

		Yale						
		ERC VG22 SWB	ERC 22VG MWB	ERC 25VG SWB	ERC 25VG MWB			
GENERAL	1.1	Manufacturer						
	1.2	Model designation						
	1.3	Drive	Electric (battery)					
	1.4	Operator type	Seated					
	1.5	Rated capacity/rated load	Q (t)		2.2		2.5	
	1.6	Load centre distance	c (mm)				500	
	1.8	Load distance, centre of drive axle to fork	x (mm)				390	
	1.9	Wheelbase	y (mm)		1230	1377	1230	1377
	WEIGHT	2.1	Service weight ⁽¹⁾	kg		4530	4650	4710
2.2		Axle loading, laden front/rear ⁽¹⁾	kg		5574 / 1150	5601 / 1234	6041 / 1168	6098 / 1043
2.3		Axle loading, unladen front/rear ⁽¹⁾	kg		1809 / 2715	2009 / 2632	1762 / 2947	2009 / 2632
TYRES	3.1	Tyres front/rear	Cushion					
	3.2	Tyre size, front	21 x 8 x 15					
	3.3	Tyre size, rear	16 x 6 x 10.5					
	3.5	Wheels, number front/rear (x = driven wheels)	2X / 2					
	3.6	Tread, front	b ₁₀ (mm)		905 / 1039			
	3.7	Tread, rear	b ₁₁ (mm)		940			
	DIMENSIONS	4.1	Tilt of mast/fork carriage forward/backward	α / β (°)		5 / 5		
4.2		Height, mast lowered	h ₁ (mm)		2235			
4.3		Free lift ⁽²⁾	h ₂ (mm)		100			
4.4		Lift ⁽²⁾	h ₃ (mm)		3452			
4.5		Height, mast extended ⁽³⁾	h ₄ (mm)		4049			
4.7		Height of overhead guard (cabin) ⁽⁴⁾	h ₆ (mm)		2248			
4.7.1		Cab height (open cab)	h ₇ (mm)		2286			
4.8		Seat height relating to SIP/stand height ⁽⁴⁾	h ₇ (mm)		1217			
4.12		Coupling height	h ₁₀ (mm)		280			
4.19		Overall length	l ₁ (mm)		3016	3040	3143	
4.20		Length to face of forks ⁽⁴⁾	l ₂ (mm)		2016	2040	2143	
4.21		Overall width	b ₁ /b ₂ (mm)		1070 / 1242			
4.22		Fork dimensions DIN ISO 2331	s/e/l (mm)		100 / 40 / 1000			
4.23		Fork carriage ISO 2328, class/type A, B	b ₃ (mm)		2A			
4.24		Fork carriage width ⁽⁷⁾	m ₁ (mm)		977			
4.31		Ground clearance, laden, below mast	m ₁ (mm)		85			
4.32		Ground clearance, centre of wheelbase	m ₂ (mm)		92			
4.33		Load dimension b ₁₂ × l ₆ crossways	b ₁₂ × l ₆ (mm)		1200 x 1000			
4.34		Aisle width predetermined load dimensions	A _{st} (mm)		3329	3475	3351	3475
4.34.1		Aisle width with pallets 1000 x 1200 wide	A _{st} (mm)		3329	3475	3351	3475
4.34.2		Aisle width with pallets 800 x 1200 long	A _{st} (mm)		3525	3674	3547	3674
4.35	Turning radius	W _a (mm)		1735	1884	1757	1884	
4.36	Internal turning radius	b ₁₃ (mm)		501			561	
4.41	90° intersecting aisle (With pallet W = 1200mm, L = 1000mm)	(mm)		1774	1824	1781	1824	
4.42	Step Height (from ground to running board)	(mm)		772				
4.43	Step Height	(mm)		475				
PERFORMANCE	5.1	Travel speed, laden/unladen ⁽⁸⁾	km/h		19.8 / 19.7		19.9 / 19.7	
	5.2	Lift speed, laden/unladen	m/s		0.52 / 0.72		0.49 / 0.72	
	5.3	Lowering speed, laden/unladen	m/s		0.57 / 0.51			
	5.5	Drawbar pull, laden/unladen **	N		13460 / 14271		13315 / 14271	
	5.6	Max. drawbar pull, laden/unladen ***	N		22100 / 16785		21914 / 16785	
	5.7	Gradeability, laden/unladen ****	%		20 / 32		19 / 32	
	5.8	Max. gradeability, laden/unladen **	%		34 / 39		33 / 39	
	5.9	Acceleration time, laden/unladen ⁽⁹⁾	s		4.9 / 4.9			
	5.10	Service brake	Hydraulic					
	ELECTRIC	6.1	Drive motor rating S2 60 min	kW		23.6		
6.2		Lift motor rating at S3 15%	kW		24.0			
6.3		Battery according to DIN 43531/35/36 A, B, C, no	No					
6.4		Battery voltage/nominal capacity K5	(V)/(Ah)		80 / 375	80 / 450	80 / 375	80 / 450
6.5		Battery weight (min./max)	kg		1050 / 1500	1320 / 1770	1050 / 1500	1320 / 1770
6.6		Energy consumption according to VDI cycle	kWh/h @ no. of Cycles		6.31			
OTHER	8.1	Drive control	AC Electronic					
	10.1	Operating pressure for attachments	bar		155			
	10.2	Oil volume for attachments ⁽⁹⁾	l/min		20-40			
	10.3	Hydraulic oil tank, capacity	l		29.7			
	10.7	Sound pressure level at the driver's seat ⁽¹⁰⁾	dB(A)		67			
	10.8	Towing coupling, type DIN	Pin					

(1) Max. battery

(2) Bottom of forks

(3) Without load backrest

(4) h₆ subject to +/- 5mm tolerance

(5) Full suspension in compressed condition, add 40mm for nominal position

(6) With sideshift carriage add 38mm for 22VG SWB, 37mm for 22VG MWB-25VG, 31mm for 30VG-32VG, 30mm for 35VG

(7) Add 43mm with load backrest

(8) eLo performance setting

(9) Maximum flow set through dash display

(10) LPAZ, measured according to the test cycles and based on the weighting values contained in EN12053

Specification sheet truck based on: Standard seat and overhead guard with standard carriage and 1000mm forks with extended shift on. 2 stage LFL mast :- ERC22-25VG 3490mm, ERC30-35VG 3305mm.

All values are nominal values and they are subject to tolerances.

VDI 2198 – GENERAL SPECIFICATIONS – VG SERIES

			Yale			
			ERC 30VG MWB	ERC 32VG LWB	ERC 35VG LWB	
GENERAL	1.1	Manufacturer				
	1.2	Model designation				
	1.3	Drive		Electric (battery)		
	1.4	Operator type		Seated		
	1.5	Rated capacity/rated load	Q (t)	3.0	3.2	3.5
	1.6	Load centre distance	c (mm)	500		
	1.8	Load distance, centre of drive axle to fork	x (mm)	402		
	1.9	Wheelbase	y (mm)	1377	1545	
	WEIGHT	2.1	Service weight ⁽¹⁾	kg	5090	5180
2.2		Axle loading, laden front/rear ⁽¹⁾	kg	6963 / 1126	7271 / 1108	7722 / 1166
2.3		Axle loading, unladen front/rear ⁽¹⁾	kg	2031 / 3059	2233 / 2946	2212 / 3176
TYRES	3.1	Tyres front/rear		Cushion		
	3.2	Tyre size, front		21 x 8 x 15		
	3.3	Tyre size, rear		16 x 6 x 10.5		
	3.5	Wheels, number front/rear (x = driven wheels)		2X / 2		
	3.6	Tread, front	b ₁₀ (mm)	905 / 1039		
	3.7	Tread, rear	b ₁₁ (mm)	940	915	
	DIMENSIONS	4.1	Tilt of mast/fork carriage forward/backward	α / β (°)	5 / 5	
4.2		Height, mast lowered	h ₁ (mm)	2235		
4.3		Free lift ⁽²⁾	h ₂ (mm)	100		
4.4		Lift ⁽²⁾	h ₃ (mm)	3259		
4.5		Height, mast extended ⁽³⁾	h ₄ (mm)	3954		
4.7		Height of overhead guard (cabin) ⁽⁴⁾	h ₆ (mm)	2248		
4.7.1		Cab height (open cab)		2286		
4.8		Seat height relating to SIP/stand height ⁽⁴⁾	h ₇ (mm)	1217		
4.12		Coupling height	h ₁₀ (mm)	280		
4.19		Overall length	l ₁ (mm)	3199	3343	3367
4.20		Length to face of forks ⁽⁶⁾	l ₂ (mm)	2199	2343	2367
4.21		Overall width	b ₁ /b ₂ (mm)	1108 / 1242		
4.22		Fork dimensions DIN ISO 2331	s/e/l (mm)	125 / 50 / 1000		
4.23		Fork carriage ISO 2328, class/type A, B		3A		
4.24		Fork carriage width ⁽⁷⁾	b ₃ (mm)	977		
4.31		Ground clearance, laden, below mast	m ₁ (mm)	85		
4.32		Ground clearance, centre of wheelbase	m ₂ (mm)	92		
4.33		Load dimension b ₁₂ × l ₆ crossways	b ₁₂ × l ₆ (mm)	1200 x 1000		
4.34		Aisle width predetermined load dimensions	Ast (mm)	3518	3676	3696
4.34.1		Aisle width with pallets 1000 x 1200 wide	Ast (mm)	3518	3676	3696
4.34.2		Aisle width with pallets 800 x 1200 long	Ast (mm)	3717	3876	3896
4.35		Turning radius	Wa (mm)	1915	2074	2094
4.36		Internal turning radius	b ₁₃ (mm)	561	630	630
4.4.1	90° intersecting aisle (With pallet W = 1200mm, L = 1000mm)	(mm)	1853	1931	1941	
4.42	Step Height (from ground to running board)	(mm)	772			
4.43	Step Height	(mm)	475			
PERFORMANCE	5.1	Travel speed, laden/unladen ⁽⁸⁾	km/h	19.4 / 19.7	19.0 / 19.7	19.1 / 19.7
	5.2	Lift speed, laden/unladen	m/s	0.42 / 0.63	0.40 / 0.63	0.37 / 0.63
	5.3	Lowering speed, laden/unladen	m/s	0.56 / 0.46	0.57 / 0.46	0.58 / 0.46
	5.5	Drawbar pull, laden/unladen	N	12953 / 14150	12837 / 14129	12643 / 14078
	5.6	Max. drawbar pull, laden/unladen	N	21485 / 17272	21342 / 18165	21108 / 18651
	5.7	Gradeability, laden/unladen	%	16 / 29	16 / 28	14 / 27
	5.8	Max. gradeability, laden/unladen	%	28 / 36	26 / 37	25 / 37
	5.9	Acceleration time, laden/unladen ⁽⁹⁾	s	4.9 / 4.9		
	5.10	Service brake		Hydraulic		
	ELECTRIC	6.1	Drive motor rating S2 60 min	kW	23.6	
6.2		Lift motor rating at S3 15%	kW	24.0		
6.3		Battery according to DIN 43531/35/36 A, B, C, no		No		
6.4		Battery voltage/nominal capacity K5	(V)/(Ah)	80 / 450	80 / 600	
6.5		Battery weight (min./max)	kg	1320 / 1770	1550 / 2000	
6.6		Energy consumption according to VDI cycle	kWh/h @ no. of Cycles	6.70	7.89	8.58
OTHER	8.1	Drive control		AC Electronic		
	10.1	Operating pressure for attachments	bar	155		
	10.2	Oil volume for attachments ⁽⁹⁾	l/min	20-40		
	10.3	Hydraulic oil tank, capacity	l	29.7		
	10.7	Sound pressure level at the driver's seat ⁽¹⁰⁾	dB(A)	67		
	10.8	Towing coupling, type DIN		Pin		

MAST DIMENSIONS – ERC 22VG SWB/MWB

h ₁ (mm)	h ₂ +s (mm)	h ₃ +s (mm)	h ₄ (mm)	Tilt		Forks			Integral sideshift			Forks			Integral sideshift		
						Load centre (kg)			Load centre (kg)			Load centre (kg)			Load centre (kg)		
				F	B	500	600	700	500	600	700	500	600	700	500	600	700
2-Stage Limited Free-Lift (LFL) Mast																	
2235	140	3492	4049 ⁽³⁾	5	5	2200	2030	1840	2160	1950	1770	2200	2030	1840	2160	1950	1770
2635	140	4132	4689 ⁽³⁾	5	5	2200	2020	1830	2150	1940	1760	2200	2020	1830	2150	1940	1760
2985	140	4832	5389 ⁽³⁾	5	5	2120	1940	1760	2070	1860	1700	2130	1950	1770	2070	1870	1700
2-Stage Full Free-Lift (FFL) Mast																	
2235	1678 ⁽¹⁾	3502	4059 ⁽³⁾	5	5	2200	2030	1840	2160	1950	1770	2200	2030	1840	2160	1950	1770
3-Stage Full Free-Lift (FFL) Mast																	
2235	1696 ⁽²⁾	5100	5639 ⁽⁴⁾	5	5	2080	1900	1720	2020	1820	1660	2080	1900	1730	2030	1830	1660
2385	1846 ⁽²⁾	5550	6089 ⁽⁴⁾	5	5	2000	1820	1650	1940	1750	1590	2010	1830	1660	1950	1750	1600
2585	2046 ⁽²⁾	6000	6539 ⁽⁴⁾	5	5	1920	1740	1580	1850	1670	1520	1930	1750	1580	1860	1680	1520

- (1) Deduct 666mm with load backrest extension
 (2) Deduct 684mm with load backrest extension

- (3) Add 666mm with load backrest extension
 (4) Add 684mm with load backrest extension

MAST DIMENSIONS – ERC 25VG SWB/MWB

h ₁ (mm)	h ₂ +s (mm)	h ₃ +s (mm)	h ₄ (mm)	Tilt		Forks			Integral sideshift			Forks			Integral sideshift		
						Load centre (kg)			Load centre (kg)			Load centre (kg)			Load centre (kg)		
				F	B	500	600	700	500	600	700	500	600	700	500	600	700
2-Stage Limited Free-Lift (LFL) Mast																	
2235	140	3492	4049 ⁽³⁾	5	5	2500	2300	2090	2450	2210	2010	500	2300	2090	2450	2210	2010
2635	140	4132	4689 ⁽³⁾	5	5	2500	2290	2080	2440	2200	2000	2500	2290	2080	2440	2200	2000
2985	140	4832	5389 ⁽³⁾	5	5	2420	2210	2000	2350	2120	1930	2420	2210	2000	2350	2120	1930
2-Stage Full Free-Lift (FFL) Mast																	
2235	1678 ⁽¹⁾	3502	4059 ⁽³⁾	5	5	2500	2300	2090	2450	2210	2010	2500	2300	2090	2450	2210	2010
3-Stage Full Free-Lift (FFL) Mast																	
2235	1696 ⁽²⁾	5100	5639 ⁽⁴⁾	5	5	2370	2160	1960	2300	2080	1890	2370	2160	1960	2300	2070	1890
2385	1846 ⁽²⁾	5550	6089 ⁽⁴⁾	5	5	2290	2080	1890	2220	2000	1820	2280	2080	1880	2210	1990	1810
2585	2046 ⁽²⁾	6000	6539 ⁽⁴⁾	5	5	2220 ⁽⁵⁾	1990 ⁽⁵⁾	1800 ⁽⁵⁾	2120 ⁽⁵⁾	1910 ⁽⁵⁾	1740 ⁽⁵⁾	2190	1980	1800	2110	1900	1730

- (1) Add 666mm with load backrest extension
 (2) Deduct 666mm with load backrest extension
 (3) Add 684mm with load backrest extension

- (4) Deduct 684mm with load backrest extension
 (5) Wide tread required

MAST DIMENSIONS – ERC 30VG MWB, ERC 32VG LWB

h ₁ (mm)	h ₂ +s (mm)	h ₃ +s (mm)	h ₄ (mm)	Tilt		Forks			Integral sideshift			Forks			Integral sideshift		
						Load centre (kg)			Load centre (kg)			Load centre (kg)			Load centre (kg)		
				F	B	500	600	700	500	600	700	500	600	700	500	600	700
2-Stage Limited Free-Lift (LFL) Mast																	
2235	150	3309	3954 ⁽³⁾	5	5	3000	2760	2510	2930	2640	2410	3200	2940	2670	3120	2810	2560
2535	150	3709	4354 ⁽³⁾	5	5	3000	2760	2500	2920	2640	2400	3200	2940	2670	3110	2810	2560
2785	150	4209	4854 ⁽³⁾	5	5	3000	2750	2490	2910	2630	2390	3200	2930	2660	3100	2800	2550
2-Stage Full Free-Lift (FFL) Mast																	
2235	1590 ⁽¹⁾	3310	3955 ⁽³⁾	5	5	3000	2760	2510	2630	2640	2410	3200	2940	2670	3120	2810	2560
3-Stage Full Free-Lift (FFL) Mast																	
2235	1608 ⁽²⁾	4768	5395 ⁽⁴⁾	5	5	2890	2650	2410	2800	2530	2310	3090	2820	2570	2990	2700	2460
2385	1758 ⁽²⁾	5218	5845 ⁽⁴⁾	5	5	2810	2560	2330	2710	2450	2230	3000	2740	2490	2900	2620	2390
2735	2108 ⁽²⁾	5968	6595 ⁽⁴⁾	5	5	2650 ⁽⁵⁾	2400 ⁽⁵⁾	2180 ⁽⁵⁾	2540 ⁽⁵⁾	2300 ⁽⁵⁾	2090 ⁽⁵⁾	2840 ⁽⁵⁾	2570 ⁽⁵⁾	2340 ⁽⁵⁾	2720 ⁽⁵⁾	2460 ⁽⁵⁾	2240 ⁽⁵⁾

- (1) Deduct 583mm with load backrest extension
 (2) Deduct 601mm with load backrest extension
 (3) Add 583mm with load backrest extension

- (4) Add 601mm with load backrest extension
 (5) Wide tread required

MAST DIMENSIONS – ERC 35VG LWB

h ₁ (mm)	h ₂ +s (mm)	h ₃ +s (mm)	h ₄ (mm)	Tilt		Forks			Integral sideshift		
						Load centre (kg)			Load centre (kg)		
				F	B	500	600	700	500	600	700
2-Stage Limited Free-Lift (LFL) Mast											
2235	150	3309	3954 ⁽³⁾	5	5	3500	3210	2920	3410	3070	2800
2535	150	3709	4354 ⁽³⁾	5	5	3500	3210	2910	3400	3070	2800
2785	150	4209	4854 ⁽³⁾	5	5	3500	3200	2900	3390	3060	2790
2-Stage Full Free-Lift (FFL) Mast											
2235	1590 ⁽¹⁾	3310	3955 ⁽³⁾	5	5	3500	3210	2920	3410	3070	2800
3-Stage Full Free-Lift (FFL) Mast											
2235	1608 ⁽²⁾	4768	5395 ⁽⁴⁾	5	5	3390	3090	2810	3280	2960	2700
2385	1758 ⁽²⁾	5218	5845 ⁽⁴⁾	5	5	3290	3000	2720	3180	2870	2620
2735	2108 ⁽²⁾	5968	6595 ⁽⁴⁾	5	5	3120 ⁽⁵⁾	2830 ⁽⁵⁾	2570 ⁽⁵⁾	3000 ⁽⁵⁾	2710 ⁽⁵⁾	2470 ⁽⁵⁾

- (1) Deduct 583mm with load backrest extension
 (2) Deduct 601mm with load backrest extension
 (3) Add 583mm with load backrest extension

- (4) Add 601mm with load backrest extension
 (5) Wide tread required

All values are nominal values and they are subject to tolerances.





About Yale®

Yale Materials Handling Corporation is one of the oldest manufacturers of lift trucks in the world. We've been in the business of lifting since 1875 and we apply that experience to help customers solve materials handling challenges. Our full line of lift trucks range in capacity from 1 to 16 tonne and are powered by internal combustion engines or electric options. Yale also offers robotic solutions, telemetry, fleet management, parts, financing and training. From traditional lift truck equipment to emerging technologies, our goal, every day, is to work with our nationwide dealer network to continually improve and provide the solutions you need, when and how you need them.

MATERIALS HANDLING FOR:

3PL

Auto Parts

Beverage

Cold & Frozen Foods

Food Distribution

Food Processing

Furniture & Furnishings

Health & Pharma

Home Centres

Retail

E-Commerce

Yale Lift Truck Technologies

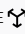
Centennial House
Frimley Business Park
Frimley
Surrey
GU16 7SG
United Kingdom

www.yale.com



Safety: All Yale products sold into EU countries, UK, and Turkey conform to the EU requirements of Machinery Directive 2006/42/EC and contain **CE** marking. Yale trucks sold into other countries may be ordered for production in conformance with Machinery Directive requirements, and when so ordered will contain **CE** marking.

HYSTER-YALE UK LIMITED trading as Yale Lift Truck Technologies. Registered Address: Centennial House, Building 4.5, Frimley Business Park, Frimley, Surrey, GU16 7SG, United Kingdom. Registered in England and Wales. Company Registration Number: 02636775.

©2023 Hyster-Yale Group, Inc., all rights reserved. YALE and YALE  are trademarks of Hyster-Yale Group, Inc. Trucks may be shown with optional equipment and/or features not available in all regions. Truck performance may be affected by the condition of the vehicle, how it is equipped and the application. Specifications are subject to change without notice.

Notice: Care must be exercised when handling elevated loads. Operators must be trained and must read, understand and follow the instructions contained in the Operating Manual. Consult your Yale® Dealer if any of the information shown is critical to your application.

Publication part no. 220991812 Rev.00 (0323DMS) EN