



ERP16-20VF

SPEC SHEET

1,600 - 2,000 kg

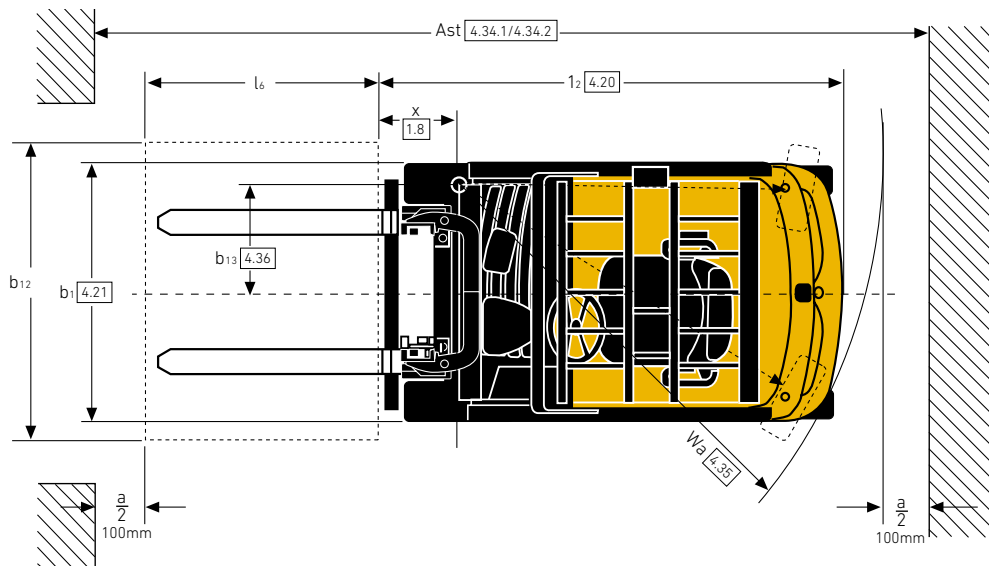
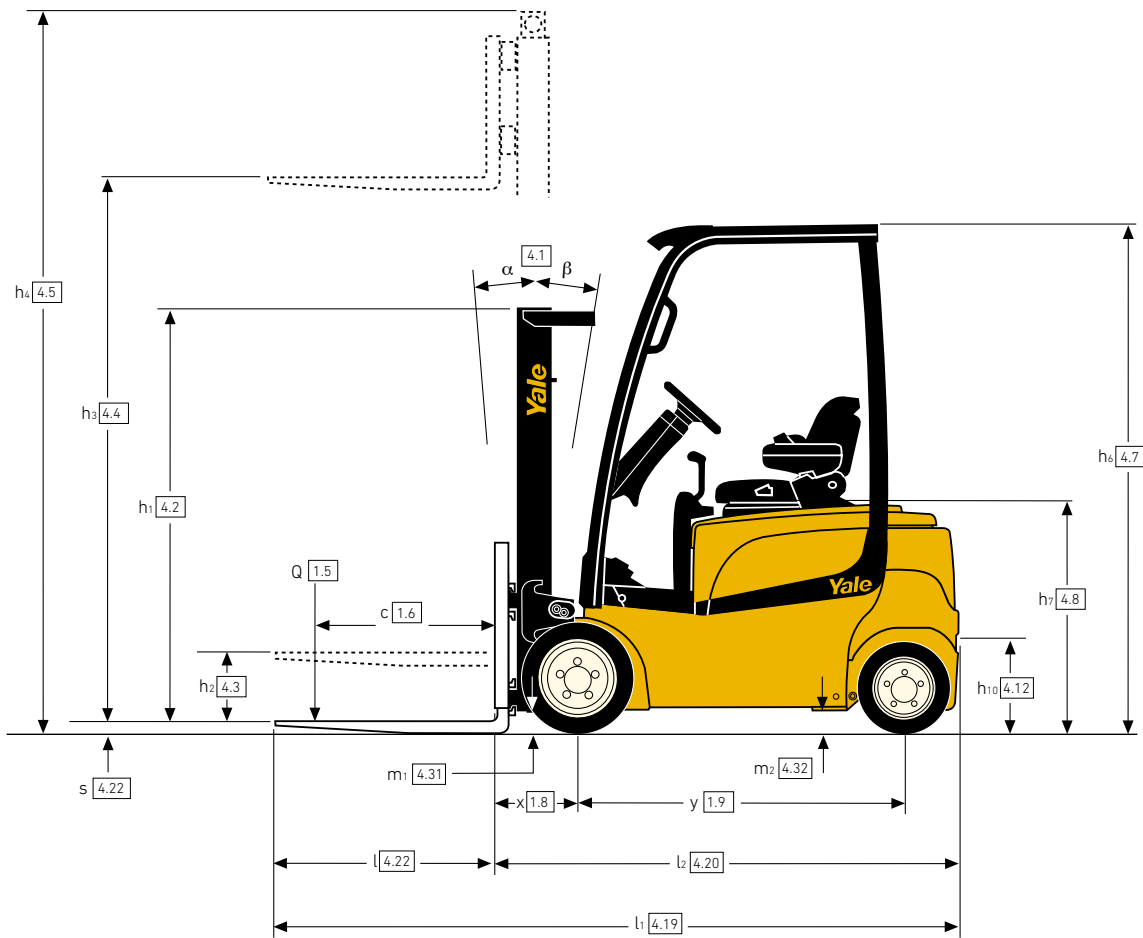
VF Series

Electric Forklift Trucks



TRUCK DIMENSIONS – VF SERIES

$$Ast = Wa + R + a = Wa + \sqrt{(l_6 + x)^2 + (b_{12}/2 - b_{13})^2} + a$$



VDI 2198 – GENERAL SPECIFICATIONS – VF SERIES

			Yale		
			ERP 16VF MWB	ERP 16VF LWB	ERP 18VF MWB
GENERAL	1.1	Manufacturer			
	1.2	Model designation			
	1.3	Drive		Electric (battery)	
	1.4	Operator type		Seated	
	1.5	Rated capacity/rated load	Q (t)	1.6	1.8
	1.6	Load centre distance	c (mm)	500	
	1.8	Load distance, centre of drive axle to fork	x (mm)	326	321
	1.9	Wheelbase	y (mm)	1431	1431
				1539	
WEIGHT	2.1	Service weight ⁽¹⁾	kg	3036	3288
	2.2	Axle loading, laden front/rear ⁽¹⁾	kg	3986 / 650	4435 / 653
	2.3	Axle loading, unladen front/rear ⁽¹⁾	kg	1461 / 1575	1601 / 1687
TYRES	3.1	Tyres front/rear		Superelastic	
	3.2	Tyre size, front		18 x 7-8	200 / 50-10
	3.3	Tyre size, rear		140 / 55-9	
	3.5	Wheels, number front/rear (x = driven wheels)		2X / 2	
	3.6	Tread, front	b ₁₀ (mm)	889	908
	3.7	Tread, rear	b ₁₁ (mm)	918	
	DIMENSIONS	4.1	Tilt of mast/fork carriage forward/backward	α/β (°)	5 / 5
4.2		Height, mast lowered	h ₁ (mm)	2230	2180
4.3		Free lift ⁽²⁾	h ₂ (mm)	100	
4.4		Lift ⁽²⁾	h ₃ (mm)	3320	3390
4.5		Height, mast extended ⁽³⁾	h ₄ (mm)	3868	4006
4.7		Height of overhead guard (cabin) ⁽⁴⁾	h ₆ (mm)	2070	
4.7.1		Cab height (open cab)		2087	
4.8		Seat height relating to SIP/stand height ⁽⁵⁾	h ₇ (mm)	1017	
4.12		Coupling height	h ₁₀ (mm)	360	
4.19		Overall length	l ₁ (mm)	2980	2975
4.20		Length to face of forks	l ₂ (mm)	1980	1975
4.21		Overall width	b ₁ /b ₂ (mm)	1050 ⁽⁶⁾	
4.22		Fork dimensions ISO 2331	s/e/l (mm)	40 / 80 / 1000	
4.23		Fork carriage ISO 2328, class/type A, B		2A	
4.24		Fork carriage width ⁽³⁾	b ₃ (mm)	907	977
4.31		Ground clearance, laden, below mast	m ₁ (mm)	70	
4.32		Ground clearance at centre of wheelbase ⁽⁷⁾	m ₂ (mm)	100	
4.33		Load dimension b ₁₂ × l ₆ crossways	b ₁₂ × l ₆ (mm)	1000 x 1200	
4.34		Aisle width predetermined load dimensions	Ast (mm)	3309	3305
4.34.1		Aisle width for pallets 1000 × 1200 crossways	Ast (mm)	3309	3305
4.34.2		Aisle width for pallets 800 × 1200 lengthways	Ast (mm)	3432	3427
4.35	Turning radius	Wa (mm)	1654	1654	
4.36	Internal turning radius	b ₁₃ (mm)	0		
4.41	90° intersecting aisle (With pallet W = 1200mm, L = 1000mm)	mm	1778	1800	
4.42	Step Height (from ground to running board) ⁽⁸⁾	mm	526		
4.43	Step Height	mm	484		
PERFORMANCE	5.1	Travel speed, laden/unladen ⁽⁹⁾	km/h	16 / 16	
	5.1.1	Travel speed, laden/unladen, backwards	km/h	16 / 16	
	5.2	Lift speed, laden/unladen	m/s	0.43 / 0.59	0.41 / 0.60
	5.3	Lowering speed, laden/unladen	m/s	0.50 / 0.47	0.46 / 0.40
	5.5	Drawbar pull, laden/unladen ⁽¹⁰⁾	N	3406 / 3680	3337 / 3646
	5.6	Max. drawbar pull, laden/unladen ⁽¹¹⁾	N	11415 / 11690	11355 / 11664
	5.7	Gradeability, laden/unladen ⁽¹²⁾	%	11 / 16	10 / 15
	5.8	Max. gradeability, laden/unladen ⁽¹¹⁾	%	25 / 35	23 / 35
	5.9	Acceleration time, laden/unladen ⁽⁹⁾	s	4.6 / 4.1	
	5.10	Service brake		Electric	
ELECTRIC	6.1	Drive motor rating S2 60 min	kW	2x 5.0	
	6.2	Lift motor rating at S3 15%	kW	12.0	
	6.3	Battery according to DIN 43531/35/36 A, B, C, no		DIN 43531-A	
	6.4	Battery voltage/nominal capacity K5	(V)/(ah)	48 / 625	48 / 625
	6.5	Battery weight ⁽¹³⁾	kg	813 / 899	813 / 899
	6.6	Energy consumption according to VDI cycle ⁽⁹⁾	kWh/h @ no. of cycles	5.1	
OTHER	8.1	Type of drive unit		AC Induction	
	10.1	Operating pressure for attachments ⁽¹⁴⁾	bar	180	
	10.2	Oil volume for attachments ⁽¹⁵⁾	l/min	40	
	10.3	Hydraulic oil tank, capacity	l	19	
	10.7	Sound pressure level at the driver's seat LPAZ ⁽¹⁶⁾	dB(A)	69	
	10.8	Towing coupling, type DIN		Pin	

(1) Max. battery

(2) Bottom of forks

(3) Without load backrest

(4) h₆ subject to +/- 5mm tolerance

(5) Full suspension seat at midpoint of suspension travel. Standard hood specified. 1051mm with raised hood

(6) Overall width 1116mm with required 200/50-10 tyres fitted for masts 5000mm and over

(7) 90mm with horizontal battery removal

(8) With vertical battery removal; add 34mm with horizontal removal

(9) HiP performance

(10) 60 minute rating

VDI 2198 – GENERAL SPECIFICATIONS – VF SERIES

			Yale		
			ERP 18VF LWB	ERP 20VF MWB	ERP 20VF LWB
GENERAL	1.1	Manufacturer			
	1.2	Model designation			
	1.3	Drive		Electric (battery)	
	1.4	Operator type		Seated	
	1.5	Rated capacity/rated load	Q (t)	1.8	2.0
	1.6	Load centre distance	c (mm)	500	
	1.8	Load distance, centre of drive axle to fork	x (mm)	321	
	1.9	Wheelbase	y (mm)	1539	
	WEIGHT	2.1	Service weight ⁽¹⁾	kg	3282
2.2		Axle loading, laden front/rear ⁽¹⁾	kg	4368 / 714	4892 / 673
2.3		Axle loading, unladen front/rear ⁽¹⁾	kg	1608 / 1674	1743 / 1822
TYRES	3.1	Tyres front/rear		Superelastic	
	3.2	Tyre size, front		200 / 50-10	
	3.3	Tyre size, rear		140 / 55-9	15 x 4,5-8
	3.5	Wheels, number front/rear (x = driven wheels)		2X / 2	
	3.6	Tread, front	b ₁₀ (mm)	908	906
	3.7	Tread, rear	b ₁₁ (mm)		918
	DIMENSIONS	4.1	Tilt of mast/fork carriage forward/backward	α/β (°)	5 / 5
4.2		Height, mast lowered	h ₁ (mm)	2180	
4.3		Free lift ⁽²⁾	h ₂ (mm)	100	
4.4		Lift ⁽²⁾	h ₃ (mm)	3390	
4.5		Height, mast extended ⁽³⁾	h ₄ (mm)	4006	
4.7		Height of overhead guard (cabin) ⁽⁴⁾	h ₆ (mm)	2070	
4.7.1		Cab height (open cab)		2087	
4.8		Seat height relating to SIP/stand height ⁽⁵⁾	h ₇ (mm)	1017	
4.12		Coupling height	h ₁₀ (mm)	360	
4.19		Overall length	l ₁ (mm)	3083	2975
4.20		Length to face of forks	l ₂ (mm)	2083	1975
4.21		Overall width	b ₁ /b ₂ (mm)	1116	
4.22		Fork dimensions ISO 2331	s/e/l (mm)	40 / 80 / 1000	
4.23		Fork carriage ISO 2328, class/type A, B		2A	
4.24		Fork carriage width ⁽³⁾	b ₃ (mm)	977	
4.31		Ground clearance, laden, below mast	m ₁ (mm)	70	
4.32		Ground clearance at centre of wheelbase ⁽⁷⁾	m ₂ (mm)	100	
4.33		Load dimension b ₁₂ × l ₆ crossways	b ₁₂ × l ₆ (mm)	1000 x 1200	
4.34		Aisle width predetermined load dimensions	Ast (mm)	3413	3305
4.34.1		Aisle width for pallets 1000 × 1200 crossways	Ast (mm)	3413	3305
4.34.2		Aisle width for pallets 800 × 1200 lengthways	Ast (mm)	3535	3427
4.35		Turning radius	Wa (mm)	1762	1654
4.36		Internal turning radius	b ₁₃ (mm)	0	
4.41	90° intersecting aisle (With pallet W = 1200mm, L = 1000mm)	mm	1846	1800	
4.42	Step Height (from ground to running board) ⁽⁸⁾	mm	526		
4.43	Step Height	mm	484		
PERFORMANCE	5.1	Travel speed, laden/unladen ⁽⁹⁾	km/h	16 / 16	
	5.1.1	Travel speed, laden/unladen, backwards	km/h	16 / 16	
	5.2	Lift speed, laden/unladen	m/s	0.41 / 0.60	0.40 / 0.58
	5.3	Lowering speed, laden/unladen	m/s	0.46 / 0.40	0.47 / 0.40
	5.5	Drawbar pull, laden/unladen ⁽¹⁰⁾	N	3337 / 3646	3260 / 3603
	5.6	Max. drawbar pull, laden/unladen ⁽¹¹⁾	N	11346 / 11655	11269 / 11612
	5.7	Gradeability, laden/unladen ⁽¹²⁾	%	10 / 15	9 / 14
	5.8	Max. gradeability, laden/unladen ⁽¹¹⁾	%	23 / 36	31 / 34
	5.9	Acceleration time, laden/unladen ⁽⁹⁾	s	4.6 / 4.1	
	5.10	Service brake		Electric	
ELECTRIC	6.1	Drive motor rating S2 60 min	kW	2x 5.0	
	6.2	Lift motor rating at S3 15%	kW	12.0	
	6.3	Battery according to DIN 43531/35/36 A, B, C, no		DIN 43531-A	
	6.4	Battery voltage/nominal capacity K5	(V)/(ah)	48 / 750	48 / 625
	6.5	Battery weight ⁽¹³⁾	kg	962 / 1064	813 / 899
	6.6	Energy consumption according to VDI cycle ⁽⁹⁾	kWh/h @ no. of cycles	5.4	5.5
OTHER	8.1	Type of drive unit		AC Induction	
	10.1	Operating pressure for attachments ⁽¹⁴⁾	bar	180	
	10.2	Oil volume for attachments ⁽¹⁵⁾	l/min	40	
	10.3	Hydraulic oil tank, capacity	l	19	
	10.7	Sound pressure level at the driver's seat LPAZ ⁽¹⁶⁾	dB(A)	69	
	10.8	Towing coupling, type DIN		Pin	

(11) 5 minute rating

(12) 30 minute rating

(13) Min./max.

(14) With manual hydraulic controls; 155 bar with e-hydraulic controls

(15) Maximum flow set through dash display

(16) LPAZ, measured according to the test cycles and based on the weighting values contained in EN12053

Spec sheet truck based on: 3360mm (Clear View) and 3430mm (Hi-Vis) to top of fork, 2 stage LFL mast with standard carriage and 1000mm forks, with HiP performance setting, DIN battery configuration

All values are nominal values and they are subject to tolerances.

MAST DIMENSIONS – ERP 16VF MWB

h ₁ (mm)	h _{2+S} (mm)	h _{3+S} (mm)	h ₄ (mm)	Tilt		Forks			Integral sideshift		
				F	B	Load centre (kg)			Load centre (kg)		
						500	600	700	500	600	700
2-Stage Limited Free-Lift (LFL) Mast Clear View											
2230	140	3360	3868	5	5	1600	1450	1350	1600	1430	1300
2580	140	3860	4368	5	5	1600	1450	1340	1590	1430	1290
2830	140	4360	4868	5	5	1580	1430	1330	1570	1410	1270
3180	140	4860	5368	5	5	1490	1350	1250	1480	1320	1200
2-Stage Limited Free-Lift (LFL) Mast Hi-Vis											
2180	140	3432	4006	5	5	1600	1450	1350	1580	1410	1280
2530	140	3932	4506	5	5	1600	1450	1340	1570	1410	1270
2780	140	4432	5006	5	5	1580	1430	1330	1550	1390	1260
3130	140	4932	5506	5	5	1490	1350	1240	1450	1300	1180
2-Stage Full Free-Lift (FFL) Mast Hi-Vis											
2080	1505	3218	3728	5	5	1600	1450	1340	1570	1410	1270
2330	1755	3718	4228	5	5	1600	1450	1340	1560	1400	1270
2680	2105	4338	4847	5	5	1600	1450	1330	1550	1390	1260
3-Stage Full Free-Lift (FFL) Mast Clear View											
1980	1472	4300	4808	5	5	1600	1450	1340	1570	1410	1270
2080	1572	4600	5108	5	5	1500	1400	1300	1480	1360	1230
2180	1672	4900	5408	5	5	1350	1350	1250	1320	1310	1190
2330	1822	5200 ⁽¹⁾	5708	5	5	1220	1220	1190	1190	1190	1140
2430	1922	5500 ⁽¹⁾	6008	5	5	1090	1090	1090	1060	1060	1060
3-Stage Full Free-Lift (FFL) Mast Hi-Vis											
1930	1355	4300	4875	5	5	1600	1450	1340	1570	1410	1270
2030	1455	4600	5175	5	5	1570	1420	1320	1540	1380	1250
2130	1555	4900	5375	5	5	1460	1370	1270	1420	1330	1200
2280	1705	5200 ⁽¹⁾	5775	5	5	1320	1320	1220	1290	1270	1150
2380	1805	5500 ⁽¹⁾	6075	5	5	1190	1190	1160	1160	1160	1100

(1) Tilt speed reduced to 1° per second by mechanical tilt speed restrictors for mast heights 5000mm and above

All ratings with DIN Battery

All ratings with 1000mm forks and less load backrest

Note that the capacities are given in kilograms

MAST DIMENSIONS – ERP 16VF LWB

h ₁ (mm)	h _{2+S} (mm)	h _{3+S} (mm)	h ₄ (mm)	Tilt		Forks			Integral sideshift		
				F	B	Load centre (kg)			Load centre (kg)		
						500	600	700	500	600	700
2-Stage Limited Free-Lift (LFL) Mast Clear View											
2230	140	3360	3868	5	5	1600	1450	1350	1600	1430	1300
2580	140	3860	4368	5	5	1600	1450	1340	1590	1430	1290
2830	140	4360	4868	5	5	1580	1430	1330	1570	1410	1270
3180	140	4860	5368	5	5	1500	1360	1250	1480	1330	1200
2-Stage Limited Free-Lift (LFL) Mast Hi-Vis											
2180	140	3432	4006	5	5	1600	1450	1350	1580	1410	1280
2530	140	3932	4506	5	5	1600	1450	1340	1570	1410	1270
2780	140	4432	5006	5	5	1580	1430	1330	1550	1390	1260
3130	140	4932	5506	5	5	1500	1360	1250	1460	1310	1180
2-Stage Full Free-Lift (FFL) Mast Hi-Vis											
2080	1505	3218	3728	5	5	1600	1450	1340	1570	1410	1270
2330	1755	3718	4228	5	5	1600	1450	1340	1560	1400	1270
2680	2105	4338	4847	5	5	1600	1450	1330	1550	1390	1260
3-Stage Full Free-Lift (FFL) Mast Clear View											
1980	1472	4300	4808	5	5	1600	1450	1340	1570	1410	1270
2080	1572	4600	5108	5	5	1510	1400	1300	1470	1360	1230
2180	1672	4900	5408	5	5	1360	1360	1250	1320	1310	1190
2330	1822	5200 ⁽¹⁾	5708	5	5	1230	1230	1200	1190	1190	1140
2430	1922	5500 ⁽¹⁾	6008	5	5	1100	1100	1100	1060	1060	1060
3-Stage Full Free-Lift (FFL) Mast Hi-Vis											
1930	1355	4300	4875	5	5	1600	1450	1340	1570	1410	1270
2030	1455	4600	5175	5	5	1570	1420	1320	1540	1380	1250
2130	1555	4900	5375	5	5	1450	1380	1270	1430	1330	1210
2280	1705	5200 ⁽¹⁾	5775	5	5	1330	1320	1220	1290	1280	1160
2380	1805	5500 ⁽¹⁾	6075	5	5	1200	1200	1170	1160	1160	1110

(1) Tilt speed reduced to 1° per second by mechanical tilt speed restrictors for mast heights 5000mm and above

All ratings with DIN Battery

All ratings with 1000mm forks and less load backrest

Note that the capacities are given in kilograms

MAST DIMENSIONS – ERP 18VF MWB

h ₁ (mm)	h _{2+S} (mm)	h _{3+S} (mm)	h ₄ (mm)	Tilt		Forks			Integral sideshift		
				F	B	Load centre (kg)			Load centre (kg)		
						500	600	700	500	600	700
2-Stage Limited Free-Lift (LFL) Mast Hi-Vis											
2180	140	3432	4006	5	5	1800	1600	1490	1740	1560	1420
2530	140	3932	4506	5	5	1800	1600	1480	1740	1560	1410
2780	140	4432	5006	5	5	1780	1580	1470	1720	1540	1390
3130	140	4932	5506	5	5	1580	1500	1380	1540	1450	1310
2-Stage Full Free-Lift (FFL) Mast Hi-Vis											
2080	1505	3218	3728	5	5	1800	1600	1500	1750	1570	1420
2330	1755	3718	4228	5	5	1800	1600	1490	1750	1560	1420
2680	2105	4338	4847	5	5	1800	1600	1480	1740	1560	1410
3-Stage Full Free-Lift (FFL) Mast Hi-Vis											
1930	1355	4300	4875	5	5	1800	1600	1490	1740	1560	1410
2030	1455	4600	5175	5	5	1770	1570	1460	1710	1530	1390
2130	1555	4900	5375	5	5	1710	1520	1410	1650	1480	1340
2280	1705	5200 ⁽¹⁾	5775	5	5	1650	1470	1360	1590	1420	1290
2380	1805	5500 ⁽¹⁾	6075	5	5	1590	1410	1300	1520	1360	1230

(1) Tilt speed reduced to 1° per second by mechanical tilt speed restrictors for mast heights 5000mm and above

All ratings with DIN Battery

All ratings with 1000mm forks and less load backrest

Note that the capacities are given in kilograms

MAST DIMENSIONS – ERP 18VF LWB

h ₁ (mm)	h _{2+S} (mm)	h _{3+S} (mm)	h ₄ (mm)	Tilt		Forks			Integral sideshift		
				F	B	Load centre (kg)			Load centre (kg)		
						500	600	700	500	600	700
2-Stage Limited Free-Lift (LFL) Mast Hi-Vis											
2180	140	3432	4006	5	5	1800	1600	1490	1740	1560	1420
2530	140	3932	4506	5	5	1800	1600	1480	1740	1560	1410
2780	140	4432	5006	5	5	1780	1580	1470	1720	1540	1390
3130	140	4932	5506	5	5	1580	1500	1380	1540	1450	1310
2-Stage Full Free-Lift (FFL) Mast Hi-Vis											
2080	1505	3218	3728	5	5	1800	1600	1500	1750	1570	1420
2330	1755	3718	4228	5	5	1800	1600	1490	1750	1560	1420
2680	2105	4338	4847	5	5	1800	1600	1480	1740	1560	1410
3-Stage Full Free-Lift (FFL) Mast Hi-Vis											
1930	1355	4300	4875	5	5	1800	1600	1490	1740	1560	1410
2030	1455	4600	5175	5	5	1770	1570	1460	1710	1530	1380
2130	1555	4900	5375	5	5	1710	1520	1410	1650	1480	1340
2280	1705	5200 ⁽¹⁾	5775	5	5	1600	1470	1360	1580	1420	1290
2380	1805	5500 ⁽¹⁾	6075	5	5	1470	1410	1300	1440	1360	1230

(1) Tilt speed reduced to 1° per second by mechanical tilt speed restrictors for mast heights 5000mm and above

All ratings with DIN Battery

All ratings with 1000mm forks and less load backrest

Note that the capacities are given in kilograms

MAST DIMENSIONS – ERP 20VF MWB/LWB

h ₁ (mm)	h _{2+S} (mm)	h _{3+S} (mm)	h ₄ (mm)	Tilt		Forks			Integral sideshift		
				F	B	Load centre (kg)			Load centre (kg)		
						500	600	700	500	600	700
2-Stage Limited Free-Lift (LFL) Mast Hi-Vis											
2180	140	3432	4006	5	5	2000	1800	1640	1920	1720	1560
2530	140	3932	4506	5	5	2000	1800	1630	1910	1720	1550
2780	140	4432	5006	5	5	1980	1780	1620	1890	1700	1540
3130	140	4932	5506	5	5	1570	1570	1530	1520	1520	1450
2-Stage Full Free-Lift (FFL) Mast Hi-Vis											
2080	1505	3218	3728	5	5	2000	1800	1650	1930	1730	1570
2330	1755	3718	4228	5	5	2000	1800	1640	1920	1720	1560
2680	2105	4338	4847	5	5	2000	1800	1630	1910	1720	1550
3-Stage Full Free-Lift (FFL) Mast Hi-Vis											
1930	1355	4300	4875	5	5	2000	1800	1640	1910	1710	1550
2030	1455	4600	5175	5	5	1960	1770	1610	1880	1690	1530
2130	1555	4900	5375	5	5	1910	1710	1560	1770	1630	1480
2280	1705	5200 ⁽¹⁾	5775	5	5	1670	1660	1500	1640	1570	1420
2380	1805	5500 ⁽¹⁾	6075	5	5	1540	1530	1440	1500	1500	1370

(1) Tilt speed reduced to 1° per second by mechanical tilt speed restrictors for mast heights 5000mm and above

All ratings with DIN Battery

All ratings with 1000mm forks and less load backrest

Note that the capacities are given in kilograms

All values are nominal values and they are subject to tolerances.



About Yale®

Yale Materials Handling Corporation is one of the oldest manufacturers of lift trucks in the world. We've been in the business of lifting since 1875 and we apply that experience to help customers solve materials handling challenges. Our full line of lift trucks range in capacity from 1 to 16 tonne and are powered by internal combustion engines or electric options. Yale also offers robotic solutions, telemetry, fleet management, parts, financing and training. From traditional lift truck equipment to emerging technologies, our goal, every day, is to work with our nationwide dealer network to continually improve and provide the solutions you need, when and how you need them.

MATERIALS HANDLING FOR:

3PL

Auto Parts

Beverage

Cold & Frozen Foods

Food Distribution

Food Processing

Furniture & Furnishings

Health & Pharma

Home Centres

Retail

E-Commerce

Yale Lift Truck Technologies

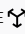
Centennial House
Frimley Business Park
Frimley
Surrey
GU16 7SG
United Kingdom

www.yale.com



Safety: All Yale products sold into EU countries, UK, and Turkey conform to the EU requirements of Machinery Directive 2006/42/EC and contain **CE** marking. Yale trucks sold into other countries may be ordered for production in conformance with Machinery Directive requirements, and when so ordered will contain **CE** marking.

HYSTER-YALE UK LIMITED trading as Yale Lift Truck Technologies. Registered Address: Centennial House, Building 4.5, Frimley Business Park, Frimley, Surrey, GU16 7SG, United Kingdom. Registered in England and Wales. Company Registration Number: 02636775.

©2023 Hyster-Yale Group, Inc., all rights reserved. YALE and YALE  are trademarks of Hyster-Yale Group, Inc. Trucks may be shown with optional equipment and/or features not available in all regions. Truck performance may be affected by the condition of the vehicle, how it is equipped and the application. Specifications are subject to change without notice.

Notice: Care must be exercised when handling elevated loads. Operators must be trained and must read, understand and follow the instructions contained in the Operating Manual. Consult your Yale® Dealer if any of the information shown is critical to your application.

Publication part no. 220991868 Rev.00 (0323DMS) EN