

# VX series

8,000kg / 9,000kg

## Diesel & LPG Forklift Trucks

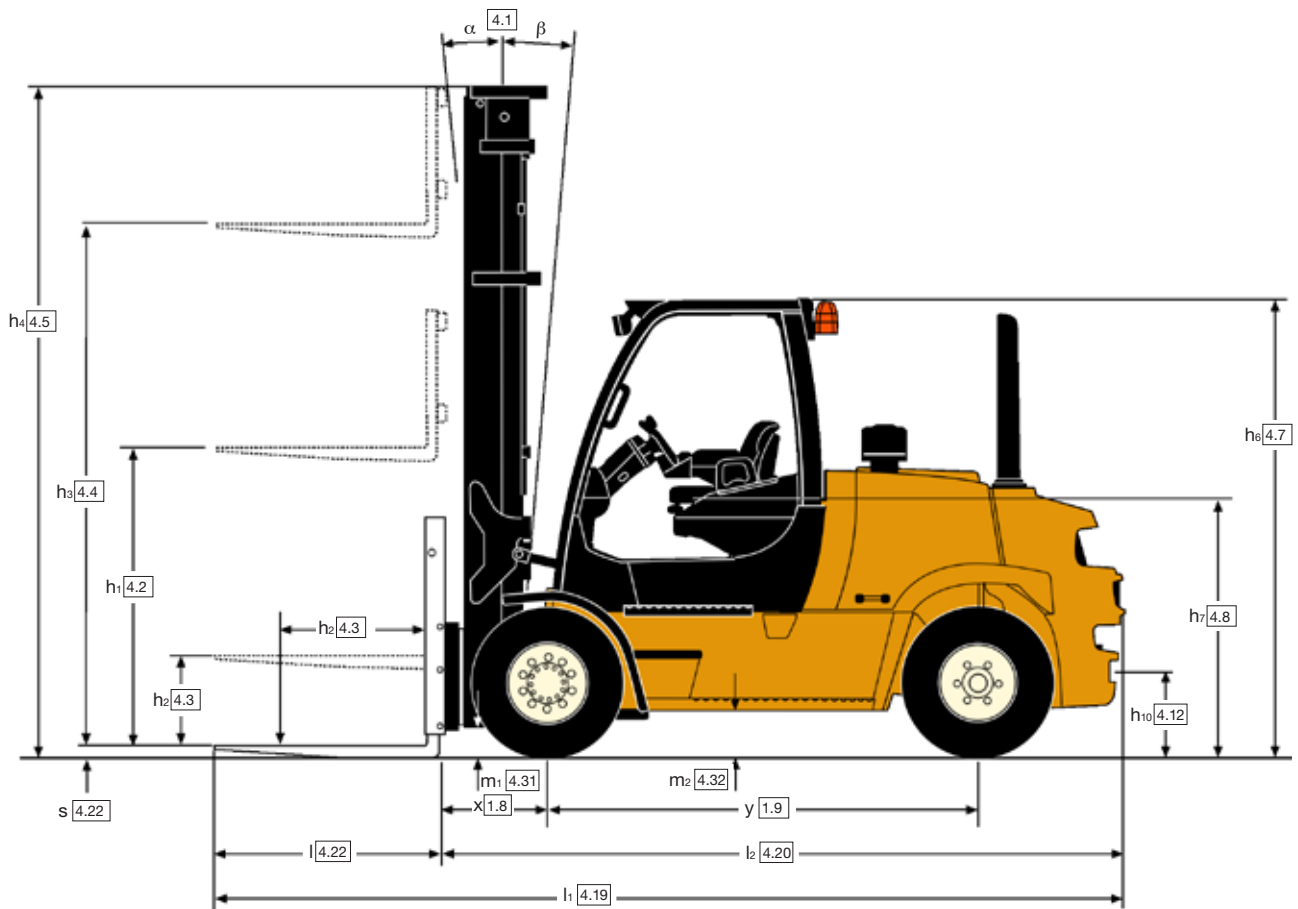
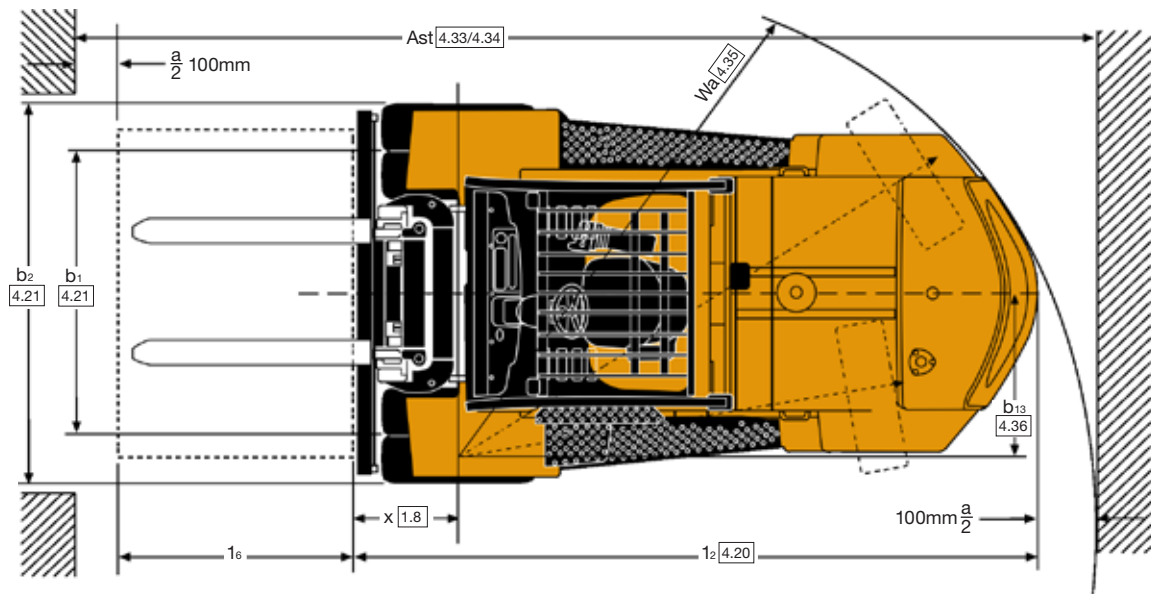


- Intellix Vehicle Management System
- CAN bus technology
- Techtronix 300 Series transmission
- Yale AccuTouch Mini Lever Module
- On-board Diagnostics

Now with Stage V engines  
for lower emissions

# Truck Dimensions

$$Ast = Wa + R + a = Wa + ((\sqrt{l_6 + x})^2 + (b_{12}/2 - b_{13})^2 + a$$



## GDP/GLP 80VX6 Dual Drive mast details and capacity ratings (kg) - Pneumatic tyres

Model						GDP/GLP 80VX6						
Tyre size, front						Dual Drive Wheel		Dual Drive Wheel		Dual Drive Wheel		
Overall width, front						with carriage		with carriage + sideshift		with carriage + sideshifting fork positioner		
Mast	h <sub>1</sub> (mm)	h <sub>2+s</sub> (mm)	h <sub>3</sub> (mm)	h <sub>4</sub> (mm)	Tilt		600mm Load Centre (kg)		600mm Load Centre (kg)		600mm Load Centre (kg)	
					F	B	Capacity at max. height (kg)	Capacity to lift height (kg to mm)	Capacity at max. height (kg)	Capacity to lift height (kg to mm)	Capacity at max. height (kg)	Capacity to lift height (kg to mm)
2 Stage LFL	2712	-	3065	4225	5	9	8000	-	7580	-	7530	-
	2962	-	3565	4725	5	9	8000	-	7570	-	7520	-
	3462	-	4565	5725	5	9	8000	-	7540	-	7500	-
	3962	-	5565	6725	5	9	8000	-	7520	-	7470	-
	4212	-	6065	7225	5	9	7710	8000 to 5815	7240	7510 to 5815	7200	7460 to 5815
3 Stage LFL	2702	1565	4615	5952	5	6	8000	-	7560	-	7530	-
	3002	1865	5515	6852	5	6	8000	-	7540	-	7510	-
	3152	2015	5965	7302	5	6	7940	8000 to 5915	7480	7530 to 5915	7450	7500 to 5915

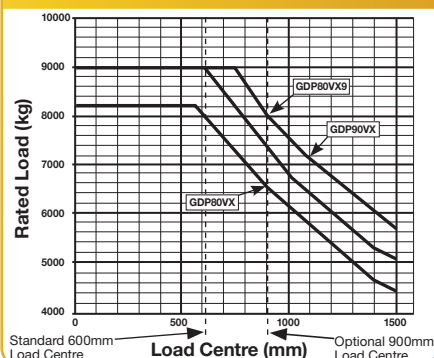
## GDP/GLP 80VX9 Dual Drive mast details and capacity ratings (kg) - Pneumatic tyres

Model						GDP/GLP 80VX9						
Tyre size, front						Dual Drive Wheel		Dual Drive Wheel		Dual Drive Wheel		
Overall width, front						with carriage		with carriage + sideshift		with carriage + sideshifting fork positioner		
Mast	h <sub>1</sub> (mm)	h <sub>2+s</sub> (mm)	h <sub>3</sub> (mm)	h <sub>4</sub> (mm)	Tilt		900mm Load Centre (kg)		900mm Load Centre (kg)		900mm Load Centre (kg)	
					F	B	Capacity at max. height (kg)	Capacity to lift height (kg to mm)	Capacity at max. height (kg)	Capacity to lift height (kg to mm)	Capacity at max. height (kg)	Capacity to lift height (kg to mm)
2 Stage LFL	2712	-	3065	4398	5	9	8000	-	7580	-	7550	-
	2962	-	3565	4898	5	9	8000	-	7560	-	7530	-
	3462	-	4565	5898	5	9	8000	-	7530	-	7500	-
	3962	-	5565	6898	5	9	7920	8000 to 5265	7420	7500 to 5265	7390	7460 to 5265
	4212	-	6065	7398	5	9	7770	8000 to 5265	7270	7480 to 5265	7240	7440 to 5265
3 Stage LFL	2702	1405	4615	5952	5	6	8000	-	7560	-	7530	-
	3002	1705	5515	6852	5	6	7770	8000 to 5365	7320	7530 to 4615	7290	7500 to 6515
	3152	1855	5965	7302	5	6	7650	8000 to 5365	7180	7510 to 4615	7150	7480 to 4615

## GDP/GLP 90VX6 Dual Drive mast details and capacity ratings (kg) - Pneumatic tyres

Model						GDP/GLP 90VX6						
Tyre size, front						Dual Drive Wheel		Dual Drive Wheel		Dual Drive Wheel		
Overall width, front						with carriage		with carriage + sideshift		with carriage + sideshifting fork positioner		
Mast	h <sub>1</sub> (mm)	h <sub>2+s</sub> (mm)	h <sub>3</sub> (mm)	h <sub>4</sub> (mm)	Tilt		600mm Load Centre (kg)		600mm Load Centre (kg)		600mm Load Centre (kg)	
					F	B	Capacity at max. height (kg)	Capacity to lift height (kg to mm)	Capacity at max. height (kg)	Capacity to lift height (kg to mm)	Capacity at max. height (kg)	Capacity to lift height (kg to mm)
2 Stage LFL	2712	-	3065	4225	5	9	9000	-	8500	-	8460	-
	2962	-	3565	4725	5	9	9000	-	8490	-	8440	-
	3462	-	4565	5725	5	9	9000	-	8470	-	8420	-
	3962	-	5565	6725	5	9	8720	9000 to 5315	8190	8450 to 5315	8140	8400 to 5315
	4212	-	6065	7225	5	9	8120	9000 to 5315	7620	8440 to 5315	7570	8390 to 5315
3 Stage LFL	2702	1565	4615	5952	5	6	9000	-	8500	-	8470	-
	3002	1865	5515	6852	5	6	8830	9000 to 5365	8320	8480 to 5365	8290	8450 to 5365
	3152	2015	5965	7302	5	6	8300	9000 to 5365	7810	8470 to 5365	7780	8430 to 5365

### Rated Load vs. Load Center



#### Truck Configuration

2-stage LFL F80 mast at HNHL (5565mm MFH) 80VX6 models.

2-stage LFL F80 mast at HNHL (5315mm MFH) 90VX6 models.

2-stage LFL F90 mast at HNHL (5065mm MFH) 80VX9 models.

2030mm STANDARD HOOK CARRIAGE WITH LOAD BACKREST

**Basic Truck:** DSL with 3-speed basic transmission and Overhead Guard solid Pneumatic tyres.

**The ratings are computed using fork lengths as below:**

	Load Centre (mm)	Fork length (mm)
All models	500 to 700	1200
	Over 700 to 1000	1500
	Over 1000 to 1200	1800
	Over 1220	2400

#### Note:

Special forks with higher load ratings are required to obtain full truck ratings on load centers greater than 1000mm on GDP/GLP 80VX9 and greater than 1300mm on GDP/GLP 90VX6.

## VDI 2198 - General Specifications

			Yale	Yale	Yale	Yale	
Distinguishing mark	1.1	Manufacturer (abbreviation)		Yale	Yale	Yale	
	1.2	Manufacturer's type designation		<b>GDP 80 VX6</b>	<b>GDP 80 VX9</b>	<b>GDP 90 VX6</b>	<b>GDP 80 VX6</b>
		Engine, Transmission		Kubota 3.8L 55kW, Techtronix 300, 3 Speed	Kubota 3.8L 55kW, Techtronix 300, 3 Speed	Kubota 3.8L 55kW, Techtronix 300, 3 Speed	Kubota 3.8L 82kW, Techtronix 300, 3 Speed
		Model		Value	Value	Value	Value
		Brake Type		Wet Brakes	Wet Brakes	Wet Brakes	Wet Brakes
	1.3	Drive: electric (battery or mains), diesel, petrol, fuel gas		Diesel	Diesel	Diesel	Diesel
	1.4	Operator type: hand, pedestrian, standing, seated, orderpicker		Seated Rider	Seated Rider	Seated Rider	Seated Rider
	1.5	Rated capacity / rated load	Q (t)	8.0	8.0	9.0	8.0
	1.6	Load centre distance	c (mm)	600	900	600	600
1.8	Load distance, centre of drive axle to fork	x (mm)	613.5	613.5	613.5	613.5	
1.9	Wheelbase	y (mm)	2450	2450	2450	2450	
Weights	2.1	Service weight	kg	11487	12417	11956	11487
	2.2	Axle loading, laden front / rear	kg	17452 / 5489	18470 / 5365	18798 / 5340	17452 / 5489
	2.3	Axle loading, unladen front / rear	kg	2035 / 5998	1947 / 7052	2158 / 6616	2035 / 5998
Tyres/chassis	3.1	Tyres: P = pneumatic, C = cushion, SE = superelastic		P	P	P	P
	3.2	Tyre size, front		8.25 x 15 14PR	8.25 x 15 14PR	8.25 x 15 14PR	8.25 x 15 14PR
	3.3	Tyre size, rear		8.25 x 15 14PR	8.25 x 15 14PR	8.25 x 15 14PR	8.25 x 15 14PR
	3.5	Number of wheels, front/rear (x = driven wheels)		4x / 2	4x / 2	4x / 2	4x / 2
	3.6	Tread, front	b <sub>10</sub> (mm)	2003	2003	2003	2003
	3.7	Tread, rear	b <sub>11</sub> (mm)	1535	1535	1535	1535
	Dimensions	4.1	Tilt of mast/fork carriage, forward / backward	α / β (°)	5 / 9	5 / 9	5 / 9
4.2		Height, mast lowered	h <sub>1</sub> (mm)	2712	2712	2712	2712
4.3		Free lift ▲	h <sub>2</sub> (mm)	105	105	105	105
4.4		Lift ▲	h <sub>3</sub> (mm)	3065	3065	3065	3065
4.5		Height, mast extended +	h <sub>4</sub> (mm)	4239	4239	4239	4239
4.7		Height of overhead guard (cabin) ○	h <sub>6</sub> (mm)	2531	2531	2531	2531
4.8		Seat height relating to SIP/stand height ✕	h <sub>7</sub> (mm)	1558	1558	1558	1558
4.12		Coupling height	h <sub>10</sub> (mm)	474	474	474	474
4.19		Overall length	l <sub>1</sub> (mm)	5096.5	5238	5238	5096.5
4.20		Length to face of forks	l <sub>2</sub> (mm)	3896.5	4038	4038	3896.5
4.21		Overall width	b <sub>1</sub> /b <sub>2</sub> (mm)	2239	2239	2239	2239
4.22		Fork dimensions DIN ISO 2331	s/e/l (mm)	60 / 150 / 1200	60 / 150 / 1200	60 / 150 / 1200	60 / 150 / 1200
4.23		Fork carriage ISO 2328, class/type A, B		IVA	IVA	IVA	IVA
4.24		Fork carriage width ▴	b <sub>3</sub> (mm)	2030	2030	2030	2030
		Fork Spacing -Std Carriage - Minimum Inside to inside edge	mm	65	65	65	65
		Fork Spacing -Std Carriage - Maximum outside to outside edge	mm	1990	1990	1990	1990
4.31		Ground clearance, laden, below mast	m <sub>1</sub> (mm)	173	173	173	173
4.32		Ground clearance, centre of wheelbase	m <sub>2</sub> (mm)	253	253	253	253
4.34.1		Aisle width with pallets 1000mm long x 1200mm wide	A <sub>st</sub> (mm)	5486.5	5607.5	5607.5	5486.5
4.34.2		Aisle width with pallets 800mm wide x 1200mm long	A <sub>st</sub> (mm)	5686.5	5807.5	5807.5	5686.5
4.35		Turning radius	W <sub>a</sub> (mm)	3673	3794	3794	3673
4.36	Internal turning radius	b <sub>13</sub> (mm)	362	362	362	362	
4.41	90° intersecting aisle (with pallet W = 1200mm, L = 1000mm)	(mm)	3046	3116	3116	3046	
4.42	Step Height (from ground to running board)	(mm)	321	321	321	321	
4.43	Step Height (between intermediate steps between running board and floor)	(mm)	256	256	256	256	
Performance data	5.1	Travel speed laden/unladen	km/h	21.5 / 22.5	21.4 / 22.4	21.4 / 22.4	21.5 / 22.5
	5.2	Lift speed, laden/unladen (2LFL)	m/sec	0.34 / 0.34	0.32 / 0.34	0.32 / 0.34	0.45 / 0.45
	5.3	Lowering speed, laden/unladen (2LFL)	m/sec	0.41 / 0.37	0.41 / 0.37	0.41 / 0.37	0.41 / 0.37
	5.5	Drawbar pull, laden/unladen @ 1.6 km/h	kN	52836 / 32297	52570 / 31568	52668 / 31421	53379 / 32297
	5.7	Gradeability, laden/unladen @ 1.6 km/h	%	28 / 29	26 / 26	25 / 27	28 / 29
Combustion engine	7.1	Engine manufacturer/type		Kubota 3.8L 55kW	Kubota 3.8L 55kW	Kubota 3.8L 55kW	Kubota 3.8L 82kW
	7.2	Engine power according to ISO1585	kW	55	55	55	82
	7.3	Rated speed at max. power	rpm	2200	2200	2200	2400
	7.4	Number of cylinders/displacement	cm3	4 / 3769	4 / 3769	4 / 3769	4/3769
	7.5	Fuel consumption according VDI cycle	kg/hr or l/hr	10.6	11.2	11.5	10.6
Drive Mechanism	8.1	Type of drive unit		Hydrodynamic	Hydrodynamic	Hydrodynamic	Hydrodynamic
	8.2	Manufacturer / Type		DANA	DANA	DANA	DANA
	8.6	Wheel drive / drive axle manufacturer/type		DANA	DANA	DANA	DANA
	8.11	Service brake		Hydraulic	Hydraulic	Hydraulic	Hydraulic
8.12	Parking Brake		Hand Lever	Hand Lever	Hand Lever	Hand Lever	
Additional data	10.1	Operating pressure for attachments (nominal relief pressure)	bar	155	155	155	155
	10.2	Oil volume for attachments (nominal) ◊	l/min	93	93	93	93
	10.3	Hydraulic Tank, capacity (drain & refill)	litres	71.7	71.7	71.7	71.7
	10.4	Fuel tank, capacity (Diesel)	litres	74.8	74.8	74.8	74.8
	10.7	Sound pressure level at the driver's seat (without / with cab) ★	dB(A) LPAZ	79 / 79	79 / 79	79 / 79	79 / 79
	10.7.1	Guaranteed sound power 2001/14/EC	dB(A) LWA	102	102	102	105
	10.7.2	Guaranteed sound power 2001/14/EC	dB(A) LWAZ	98	98	98	101
	10.8	Towing coupling, type DIN		Pin	Pin	Pin	Pin

★ Measured according to the test cycles and based on the weighting values contained in EN12053.

◊ Variable

▲ Top of forks

✕ Relative to full suspension seat SIP

▴ Add 32mm with load backrest

○ h<sub>6</sub> subject to +/- 5mm tolerance.

2549mm for Cab option.

▴ Without load backrest.

Spec sheet 80VX6 truck based on :- 5500mm Bottom of Forks / 5565mm Top

of Forks F80 2 stage LFL mast with 2030mm standard carriage, 1200mm forks.

Spec sheet 80VX9 truck based on :- 4500mm Bottom of Forks / 4565mm Top of

Forks F90 2 stage LFL mast with 2030mm standard carriage, 1800mm forks.

Spec sheet 90VX6 truck based on :- 4500mm Bottom of Forks / 4565mm Top of

Yale	Yale	Yale	Yale	Yale		Manufacturer (abbreviation)	1.1	Distinguishing mark
<b>GDP 80 VX9</b>	<b>GDP 90 VX6</b>	<b>GLP 80 VX6</b>	<b>GLP 80 VX9</b>	<b>GLP 90 VX6</b>		Manufacturer's type designation	1.2	
Kubota 3.8L 82kW, Techtronix 300, 3 Speed	Kubota 3.8L 82kW, Techtronix 300, 3 Speed	GM 5.7L V8, Techtronix 300, 3 Speed	GM 5.7L V8, Techtronix 300, 3 Speed	GM 5.7L V8, Techtronix 300, 3 Speed		Engine, Transmission		
Value	Value	Value	Value	Value		Model		
Wet Brakes	Wet Brakes	Wet Brakes	Wet Brakes	Wet Brakes		Brake Type		
Diesel	Diesel	LPG	LPG	LPG		Drive: electric (battery or mains), diesel, petrol, fuel gas	1.3	
Seated Rider	Seated Rider	Seated Rider	Seated Rider	Seated Rider		Operator type: hand, pedestrian, standing, seated, orderpicker	1.4	
8.0	9.0	8.0	8.0	9.0	Q (t)	Rated capacity / rated load	1.5	
900	600	600	900	600	c (mm)	Load centre distance	1.6	
613.5	613.5	613.5	613.5	613.5	x (mm)	Load distance, centre of drive axle to fork	1.8	
2450	2450	2450	2450	2450	y (mm)	Wheelbase	1.9	
12417	11956	11487	12417	11956	kg	Service weight	2.1	
18470 / 5365	18798 / 5340	17452 / 5489	18470 / 5365	18798 / 5340	kg	Axle loading, laden front / rear	2.2	
1947 / 7052	2158 / 6616	2035 / 5998	1947 / 7052	2158 / 6616	kg	Axle loading, unladen front / rear	2.3	
P	P	P	P	P		Tyres: P = pneumatic, C = cushion, SE = superelastic	3.1	
8.25 x 15 14PR	8.25 x 15 14PR	8.25 x 15 14PR	8.25 x 15 14PR	8.25 x 15 14PR		Tyre size, front	3.2	
8.25 x 15 14PR	8.25 x 15 14PR	8.25 x 15 14PR	8.25 x 15 14PR	8.25 x 15 14PR		Tyre size, rear	3.3	
4x / 2	4x / 2	4x / 2	4x / 2	4x / 2		Number of wheels, front/rear (x = driven wheels)	3.5	
2003	2003	2003	2003	2003	b <sub>10</sub> (mm)	Tread, front	3.6	
1535	1535	1535	1535	1535	b <sub>11</sub> (mm)	Tread, rear	3.7	
5 / 9	5 / 9	5 / 9	5 / 9	5 / 9	α / β (°)	Tilt of mast/fork carriage, forward / backward	4.1	
2712	2712	2712	2712	2712	h <sub>1</sub> (mm)	Height, mast lowered	4.2	
105	105	105	105	105	h <sub>2</sub> (mm)	Free lift ▲	4.3	
3065	3065	3065	3065	3065	h <sub>3</sub> (mm)	Lift ▲	4.4	
4239	4239	4239	4239	4239	h <sub>4</sub> (mm)	Height, mast extended +	4.5	
2531	2531	2531	2531	2531	h <sub>6</sub> (mm)	Height of overhead guard (cabin) ○	4.7	
1558	1558	1558	1558	1558	h <sub>7</sub> (mm)	Seat height relating to SIP/stand height ✕	4.8	
474	474	474	474	474	h <sub>10</sub> (mm)	Coupling height	4.12	
5238	5238	5096.5	5238	5238	l <sub>1</sub> (mm)	Overall length	4.19	
4038	4038	3896.5	4038	4038	l <sub>2</sub> (mm)	Length to face of forks	4.20	
2239	2239	2239	2239	2239	b <sub>1</sub> /b <sub>2</sub> (mm)	Overall width	4.21	
60 / 150 / 1200	60 / 150 / 1200	60 / 150 / 1200	60 / 150 / 1200	60 / 150 / 1200	s/e/l (mm)	Fork dimensions DIN ISO 2331	4.22	
IVA	IVA	IVA	IVA	IVA		Fork carriage ISO 2328, class/type A, B	4.23	
2030	2030	2030	2030	2030	b <sub>3</sub> (mm)	Fork carriage width ▽	4.24	
65	65	65	65	65	mm	Fork Spacing -Std Carriage - Minimum Inside to inside edge		
1990	1990	1990	1990	1990	mm	Fork Spacing -Std Carriage - Maximum outside to outside edge		
173	173	173	173	173	m <sub>1</sub> (mm)	Ground clearance, laden, below mast	4.31	
253	253	253	253	253	m <sub>2</sub> (mm)	Ground clearance, centre of wheelbase	4.32	
5607.5	5607.5	5486.5	5607.5	5607.5	A <sub>st</sub> (mm)	Aisle width with pallets 1000mm long x 1200mm wide	4.34.1	
5807.5	5807.5	5686.5	5807.5	5807.5	A <sub>st</sub> (mm)	Aisle width with pallets 800mm wide x 1200mm long	4.34.2	
3794	3794	3673	3794	3794	W <sub>a</sub> (mm)	Turning radius	4.35	
362	362	362	362	362	b <sub>13</sub> (mm)	Internal turning radius	4.36	
3116	3116	3046	3116	3116	(mm)	90° intersecting aisle (with pallet W = 1200mm, L = 1000mm)	4.41	
321	321	321	321	321	(mm)	Step Height (from ground to running board)	4.42	
256	256	256	256	256	(mm)	Step Height (between intermediate steps between running board and floor)	4.43	
21.4 / 22.4	21.4 / 22.4	21.5 / 22.5	21.4 / 22.4	21.4 / 22.4	km/h	Travel speed laden/unladen	5.1	
0.44 / 0.45	0.44 / 0.45	0.45 / 0.45	0.44 / 0.45	0.44 / 0.45	m/sec	Lift speed, laden/unladen (2LFL)	5.2	
0.41 / 0.37	0.41 / 0.37	0.41 / 0.37	0.41 / 0.37	0.41 / 0.37	m/sec	Lowering speed, laden/unladen (2LFL)	5.3	
53379 / 31568	53379 / 31421	53379 / 32297	53379 / 31568	53379 / 31421	kN	Drawbar pull, laden/unladen @ 1.6 km/h	5.5	
27 / 26	27 / 27	28 / 29	27 / 26	27 / 27	%	Gradeability, laden/unladen @ 1.6 km/h	5.7	
Kubota 3.8L 82kW	Kubota 3.8L 82kW	GM 5.7L V8	GM 5.7L V8	GM 5.7L V8		Engine manufacturer/type	7.1	
82	82	99	99	99	kW	Engine power according to ISO1585	7.2	
2400	2400	2400	2400	2400	rpm	Rated speed at max. power	7.3	
4/3769	4/3769	8 / 5735	8 / 5735	8 / 5735	cm3	Number of cylinders/displacement	7.4	
11.2	11.5	-	10.4	-	kg/hr or l/hr	Fuel consumption according VDI cycle	7.5	
Hydrodynamic	Hydrodynamic	Hydrodynamic	Hydrodynamic	Hydrodynamic		Type of drive unit	8.1	
DANA	DANA	DANA	DANA	DANA		Manufacturer / Type	8.2	
DANA	DANA	DANA	DANA	DANA		Wheel drive / drive axle manufacturer/type	8.6	
Hydraulic	Hydraulic	Hydraulic	Hydraulic	Hydraulic		Service brake	8.11	
Hand Lever	Hand Lever	Hand Lever	Hand Lever	Hand Lever		Parking Brake	8.12	
155	155	155	155	155	bar	Operating pressure for attachments (nominal relief pressure)	10.1	
93	93	93	93	93	l/min	Oil volume for attachments (nominal) ◊	10.2	
71.7	71.7	71.7	71.7	71.7	litres	Hydraulic Tank, capacity (drain & refill)	10.3	
74.8	74.8	74.8	74.8	74.8	litres	Fuel tank, capacity (Diesel)	10.4	
79 / 79	79 / 79	82 / 79	82 / 79	82 / 79	dB(A) L <sub>PAZ</sub>	Sound pressure level at the driver's seat (without / with cab) ★	10.7	
105	105	107	107	107	dB(A) L <sub>WA</sub>	Guaranteed sound power 2001/14/EC	10.7.1	
101	101	103	103	103	dB(A) L <sub>WAZ</sub>	Guaranteed sound power 2001/14/EC	10.7.2	
Pin	Pin	Pin	Pin	Pin		Towing coupling, type DIN	10.8	

Forks F80 2 stage LFL mast with 2030mm standard carriage, 1200mm forks. **Notes:**  
1. Other tyre options are available  
2. Backtilt limited to 6° with some mast options  
3. Carriage is 2030mm wide, load backrest is 2080mm wide.  
Single tyre option requires application survey quotation to be submitted to SPED for approval prior to order.  
**All values are nominal values and they are subject to tolerances. For further information, please contact the manufacturer. Yale products might be subject to change without notice. Lift trucks illustrated may feature optional equipment. Values may vary with alternative configurations.**

# VX series

Models: GDP/GLP 80VX, GDP/GLP 90VX

## Yale Veracitor VX Series

Designed to provide excellent performance optimized for lowest hourly cost of operation.

### Stage V Diesel Engines

Stage V fully compliant engines with DPF (Diesel Particulate Filter) reduces emissions and removes diesel smell and soot particles from the exhaust. Stage V engines do not adversely affect the truck performance or productivity and acceleration and lifting/lowering speeds remain unchanged. Unlike some larger emission compliant machines the engine system does not utilise Diesel Emission Fluid (DEF; known as Adblue™)

### Engine Specifications

#### Stage V Diesel Engine

Engine	Kubota
Cylinders	Inline 4
Displacement	3.8litre
Power	82kW @ 2,400rpm
Torque	415Nm @ 1,400rpm

#### LPG Engine

Engine	GM
Cylinders	V8
Displacement	5.7litre
Power	99kW @ 2,400rpm
Torque	422Nm @ 1,500rpm

### LPG Engines

The Yale Veracitor VX GM Vortec V8 engine features a rigid cast iron block and four bearing crankshaft with a cast iron camshaft. Hydraulic lifters eliminate the need for adjustment. The engines also feature an electronic throttle for precise performance and control.

### LPG Fuel System

The LPG engine uses a vaporizer built into the electronic pressure regulator to convert fuel from liquid to gas to precisely deliver fuel via the electronic pressure regulator. The ECU controls the electronic throttle body, electronic pressure regulator and spark advance. Inputs include manifold pressure, intake air and engine coolant temperature, engine oil pressure, accelerator pedal and throttle position, engine speed, camshaft position, plus catalyst oxygen sensor signals.

### Two Transmissions

#### Techtronix 300

The Techtronix 300 transmission has three forward speeds and two reverse for excellent gradeability and drawbar pull.



The transmission features Auto Deceleration (ADS), Controlled Power Reversal (CPR) and Controlled Roll Back (CRB).

#### Techtronix 300(AH)

The Techtronix 300(AH) has all the standard Techtronix 300 transmission features plus Dynamic Auto Deceleration System (DADS), Auto Speed Hydraulics (ASH) with Automatic Inching Control and Throttle Response Management feature (TRM).

A 100 mesh suction and 10 micron return line filtration system protect the transmission from abrasive contaminants.

The transmission also features electronic shift control, smooth electronic inching, neutral start switch, and anti-restart protection with single pedal controls both inching and braking.

#### Cooling System

A sealed cooling system operates with a permanently lubricated water pump, high capacity radiator with an integrated transmission oil cooler. Optional combi-cooler radiator has an externally mounted transmission oil cooler. All radiators are soft mounted for durability.

#### Drive Axle

Able to withstand heavy duty applications and absorb shock loads with increased resistance to torsion stress.

Assembly is isolated from the transmission by heavy-duty rubber mounting.

#### Brakes

Hydraulic Oil Immersed, low pedal effort brakes are standard for better protection requiring no adjustment and very little maintenance for a long service life.

The brake-pedal actuated modulating valve gives consistent pedal travel for optimum control. The parking brake has an audible.

#### Hydraulic Power Steering

Responsive control, eliminating mechanical linkages for reduced surface shock and maintenance. Centred, textured steering wheel has a spinner knob with four turns lock-to-lock. Steer cylinder is located within the the steer axle for protection.

#### Steer Axle

Cast steel mounted on phenolic bushings for excellent stability and axle articulation.

#### Chassis

The chassis uses a unitised 25mm thick frame structure with a low step height, the Overhead Guard allows excellent visibility and reduced noise.

#### Operator's Compartment

AccuTouch minilevers are integrated into the right-side armrest for superior ergonomics. Standard Automotive-style pedals have a large, single inch/brake pedal. Rubber floor mats reduce noise and vibration, the floorplate can be easily removed for excellent service access. Low step heights, Gull Wing doors on both sides and hand grips provide easy access and a superior reverse driving position.

**Intellix Vehicle System Management (VSM)**

The VSM controller provides extensive monitoring and control of functions and systems. CAN bus wiring, sealed connectors and Hall Effect sensors reduces complexity for truck system communication.

**Hydraulic System**

Incorporates a gear type pump with a cast iron body. Protection from overloads via a lift circuit relief valve with a secondary one for tilt and auxiliary functions. Oil is double filtered, the hydraulic tank is integrated into the frame. Accutouch minilevers have an emergency lowering valve to allow lowering in the event of power loss.

**Masts**

Yale Simplex LFL and Triplex FFL masts are available with pre-lubed and sealed full radius load rollers that resist forward, rearward and lateral forces. Side-thrust wear pads allow for periodic adjustment for lateral clearances. The high strength steel rolled mast channels resist flaring of the mast channel. Wide hook-type carriages are standard (Pin type available), provide good visibility, allowing the fitting of a wide variety of forks and attachments.

**Options**

- Powertrain protection system with engine shutdown
- Premium monitoring package
- Sideshifting fork positioner

- Accumulator
- Keyless start (with auxillary key switch)
- LED brake and reversing lights
- Headlights and rear drive lights with halogen bulbs
- Headlights and rear drive lights with LED bulbs
- Traction speed limiter
- Return-to-set tilt
- Integral operator's cab
- Swivel full suspension vinyl and cloth seats
- Foot directional control pedal
- Impact monitor
- Operator password
- Alarm - reverse actuated 82-102 dB(A) - self adjusting
- LED amber strobe light - keyswitch activated
- Solid and radial tyres
- 4 function (2 aux.) hydraulic control valve
- 5° forward/6° backward tilt
- Fire extinguisher
- Lifting eyes



# VX series

Models: GDP/GLP 80VX, GDP/GLP 90VX



## Yale Europe Materials Handling

Centennial House, Frimley Business Park,  
Frimley, Surrey GU16 7SG  
United Kingdom



Tel: +44 (0) 1276 538500  
Fax: +44 (0) 1276 538559

[www.yale.com](http://www.yale.com)

Publication part no. 220990358 Rev.11 Printed in The Netherlands (1119HG) EN.  
HYSTER-YALE UK LIMITED trading as Yale Europe Materials Handling.

**Safety:** This truck conforms to the current EU requirements.

Specification is subject to change without notice.

Yale, VERACTOR and  are registered trademarks. "PEOPLE, PRODUCTS, PRODUCTIVITY",  
PREMIER, Hi-Vis, and CSS are trademarks in the United States and certain other jurisdictions.  
MATERIALS HANDLING CENTRAL and MATERIAL HANDLING CENTRAL are Service Marks in  
the United States and certain other jurisdictions.  is a Registered Copyright.

© Yale Europe Materials Handling 2019. All rights reserved. Truck shown with optional equipment.  
Country of Registration: England and Wales. Company Registration Number: 02636775

